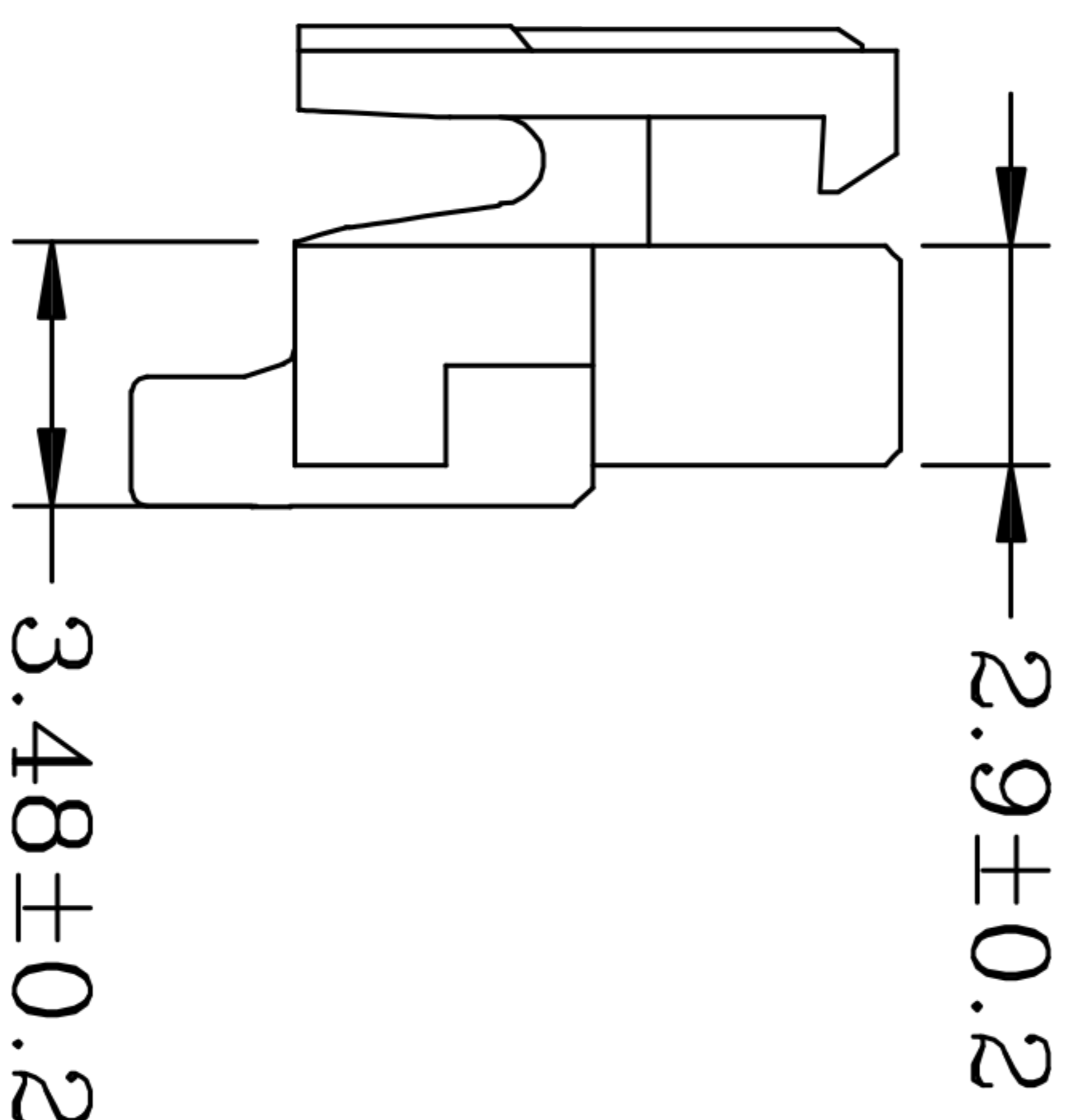
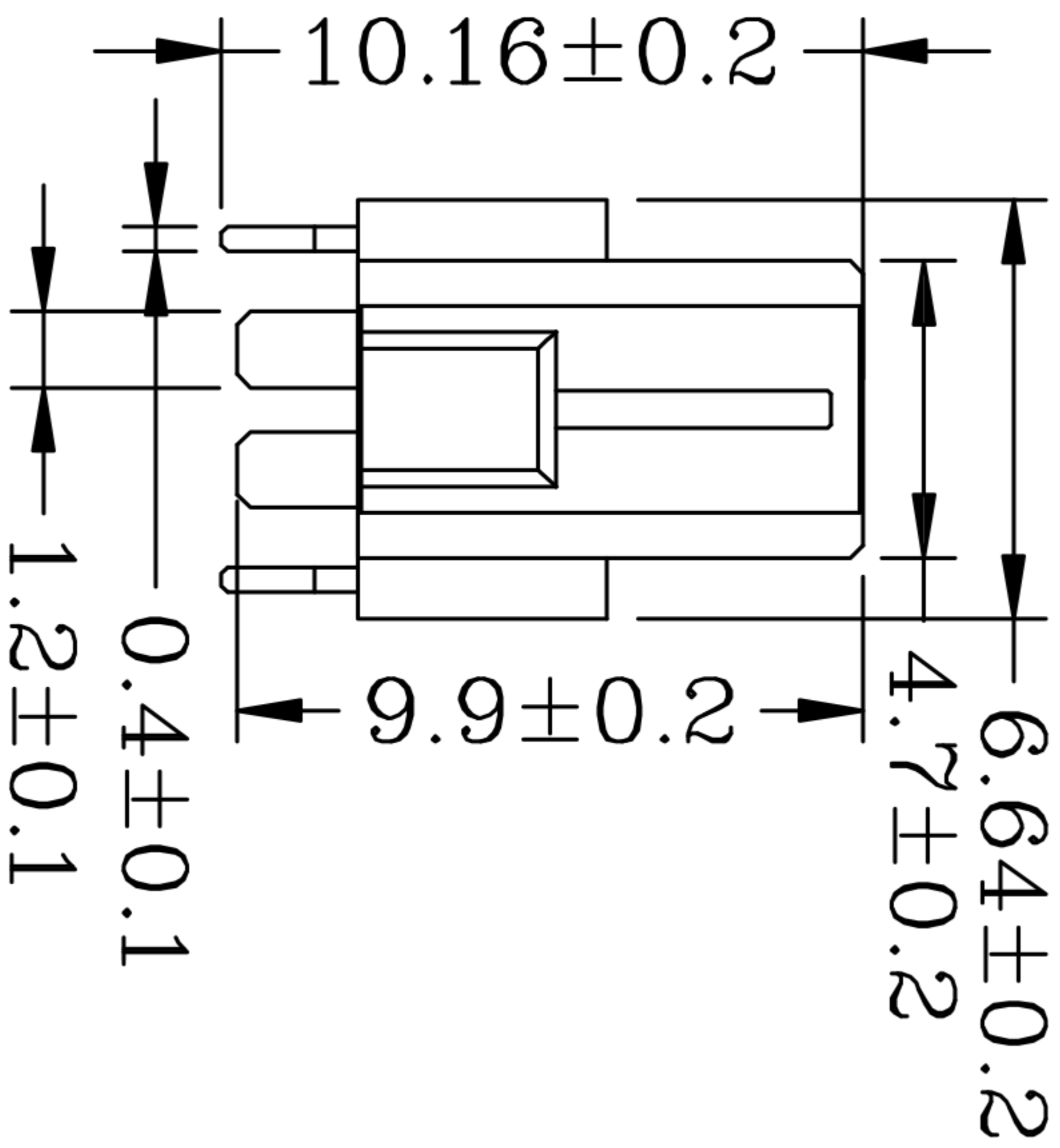

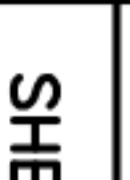


2 ± 0.05



- SPECIFICATION**
- 1 Contact resistance:  $\leq 20m\Omega$
  - 2 Insulation resistance:  $\geq 1000M\Omega$
  - 3 Rated voltage: 125 V AC DC
  - 4 Rated current: 2.0 A AC DC
  - 5 Withstand Voltage: 1000V AC/minute
  - 6 Temperature Range:  $-25^{\circ}C \sim +85^{\circ}C$

ECN NO.	REV.	DATE.	DESCRIPTION.	CHANGE.	CHECK.	APPRO.
	A		NEW			

APPROVALS		DATE	 <b>深圳市联丰电子有限公司</b> SHENZHEN LINFENYING ELECTRONIC CO.,LTD			
DRAWN	ZHIWEI.CHEN	2015.07.07				
CHECKED						
APPROVALS			TITLE:	PART NO.	2.00mm Crimp Style Connector	
TOLERANCES ARE			30~以上	±0.30	ANGLE	
			10~30	±0.20	UNIT: mm	SCALE: 1:1
			5~10	±0.15	DRAWING NO.	PROJ: 
			~ 5	±0.10		SHEET 1 OF 1