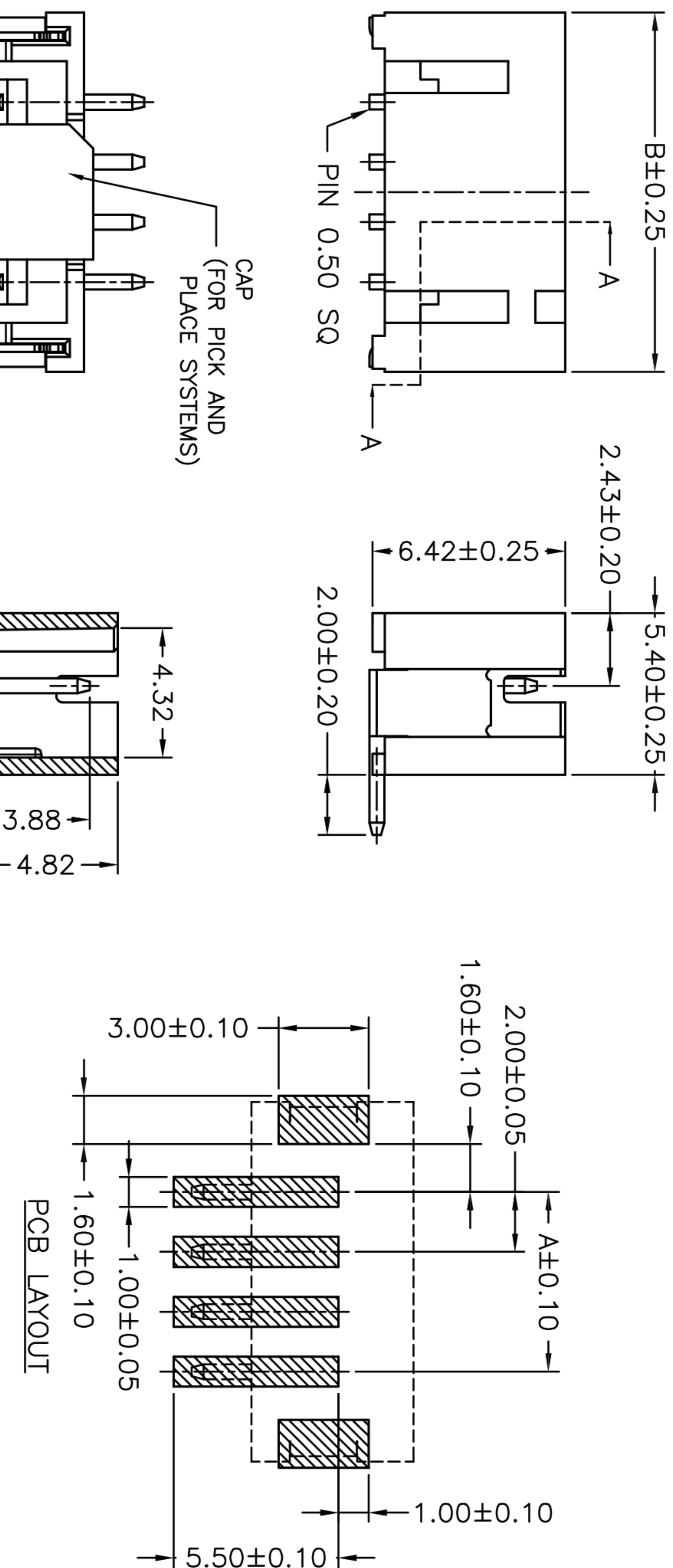


SPECIFICATIONS
 Current Rating: 2A AC,DC
 Voltage Rating: 100V AC,DC
 Temperature Range: -25°C ~ +85°C
 Contact Resistance: 10mΩ Max.
 Insulation Resistance: 1000MΩ Min.
 Withstanding Voltage: 800V AC/minute
 Pin Material: Brass
 Solder Tabs: Brass



| Circuit No. | Dimensions | | |
|-------------|------------|-------|-------|
| | A | B | C |
| 02P | 2.00 | 8.00 | 4.72 |
| 03P | 4.00 | 10.00 | 6.72 |
| 04P | 6.00 | 12.00 | 8.72 |
| 05P | 8.00 | 14.00 | 10.72 |
| 06P | 10.00 | 16.00 | 12.72 |
| 07P | 12.00 | 18.00 | 14.72 |
| 08P | 14.00 | 20.00 | 16.72 |
| 09P | 16.00 | 22.00 | 18.72 |
| 10P | 18.00 | 24.00 | 20.72 |
| 11P | 20.00 | 26.00 | 22.72 |
| 12P | 22.00 | 28.00 | 24.72 |
| 13P | 24.00 | 30.00 | 26.72 |
| 14P | 26.00 | 32.00 | 28.72 |
| 15P | 28.00 | 34.00 | 30.72 |
| 16P | 30.00 | 36.00 | 32.72 |

SEC:A-A

| | | | |
|---------|--------|--------|--------------|
| ECN NO. | REV. | DATE. | DESCRIPTION. |
| | A | | NEW |
| CHANGE. | CHECK. | APPRO. | |

| | | | | |
|----------------|-------------|------------|------------------------------|-----------------|
| APPROVALS | | DATE | TITLE: | |
| DRAWN | ZHIWEI.CHEN | 2015.07.07 | 2.00mm Crimp Style Connector | |
| CHECKED | | | PART NO. | GP01-2001WVS-NP |
| APPROVALS | | | SCALE: | 1:1 |
| TOLERANCES ARE | | ANGLE | UNIT: | mm |
| 30~以上 | ±0.30 | ±2° | DRAWING NO. | |
| 10~30 | ±0.20 | | | |
| 5~10 | ±0.15 | | | |
| ~ 5 | ±0.10 | | | |



深圳市联丰电子有限公司
 SHENZHEN LIANFENG ELECTRONIC CO.,LTD