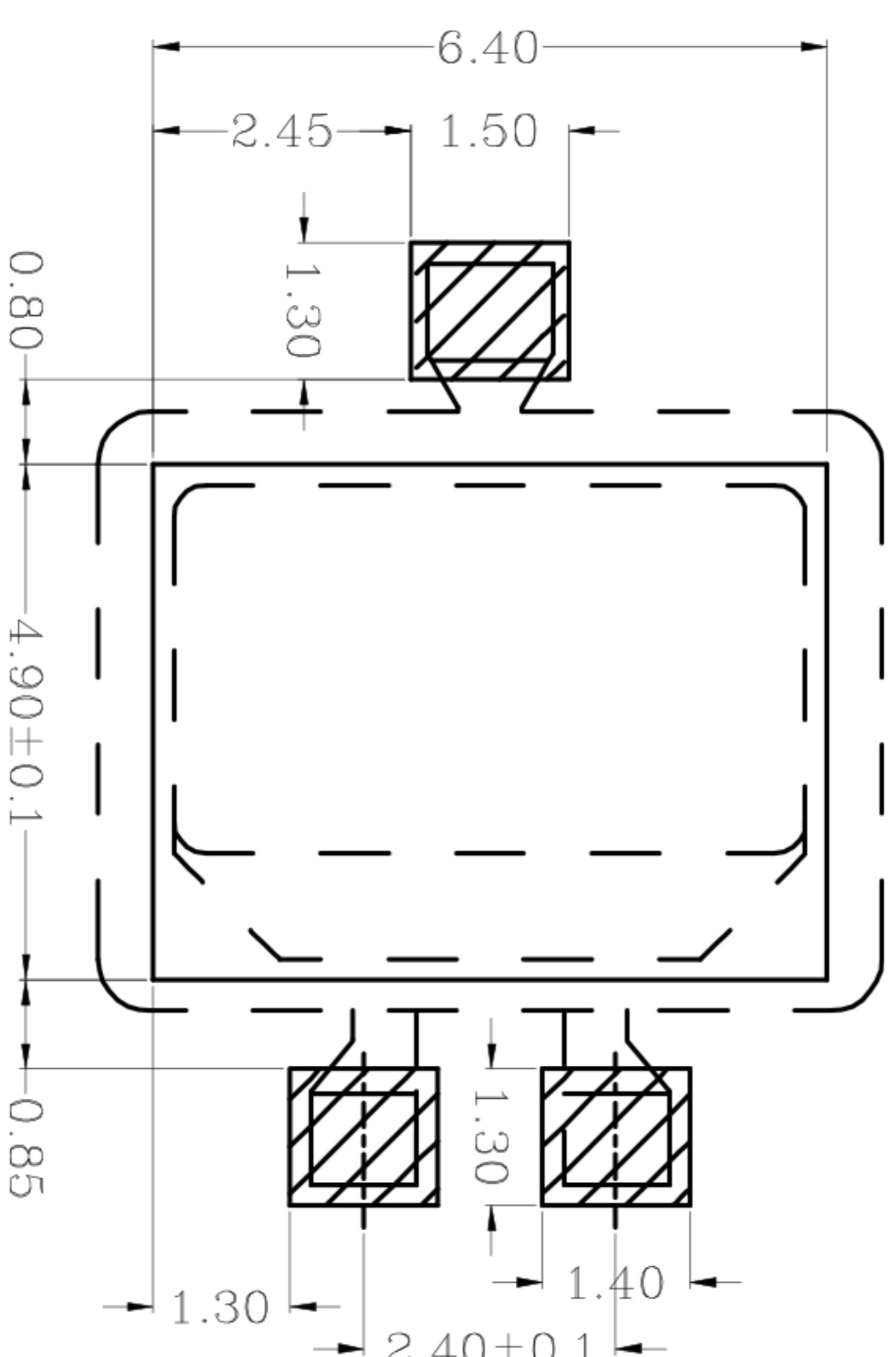
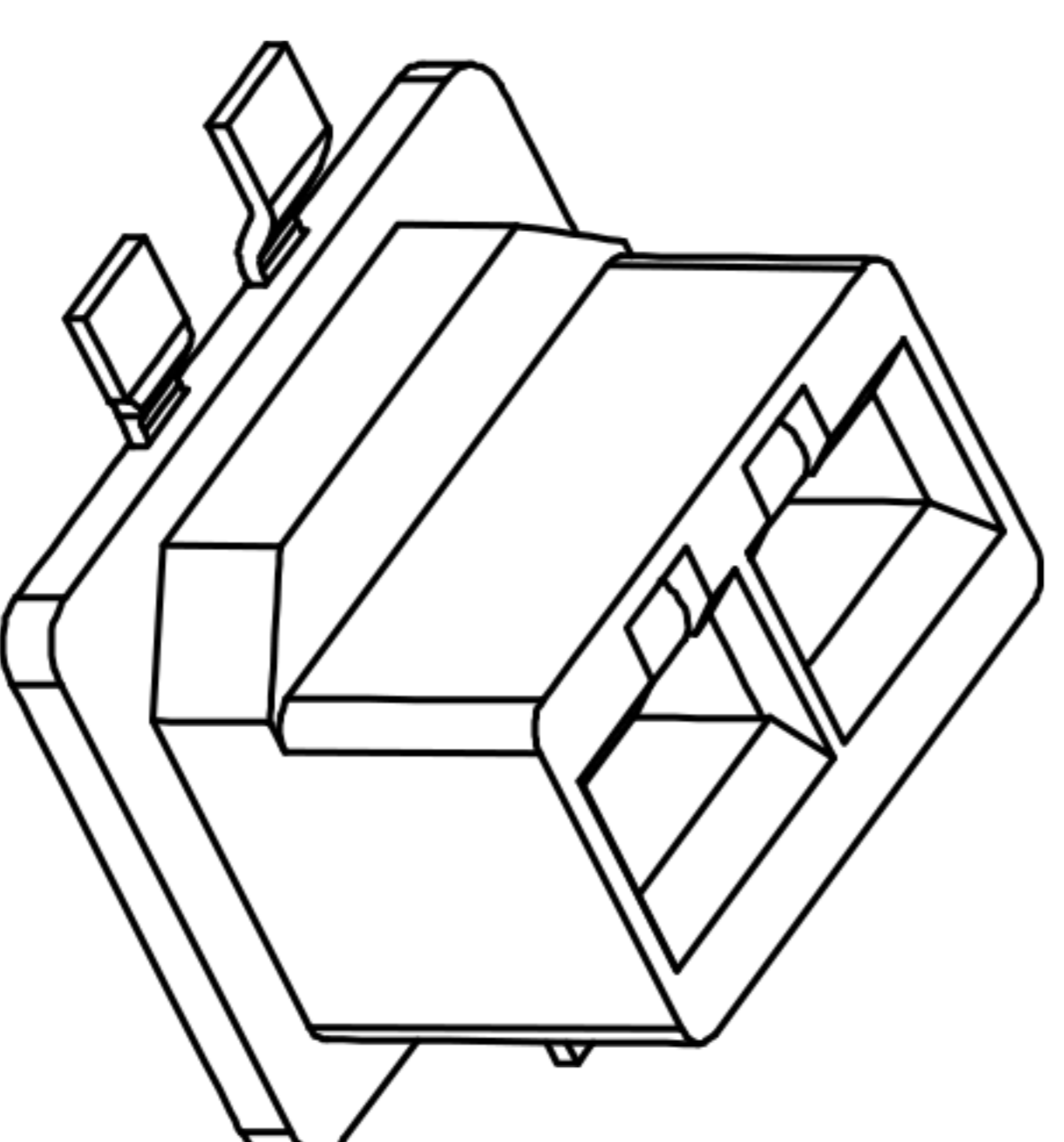
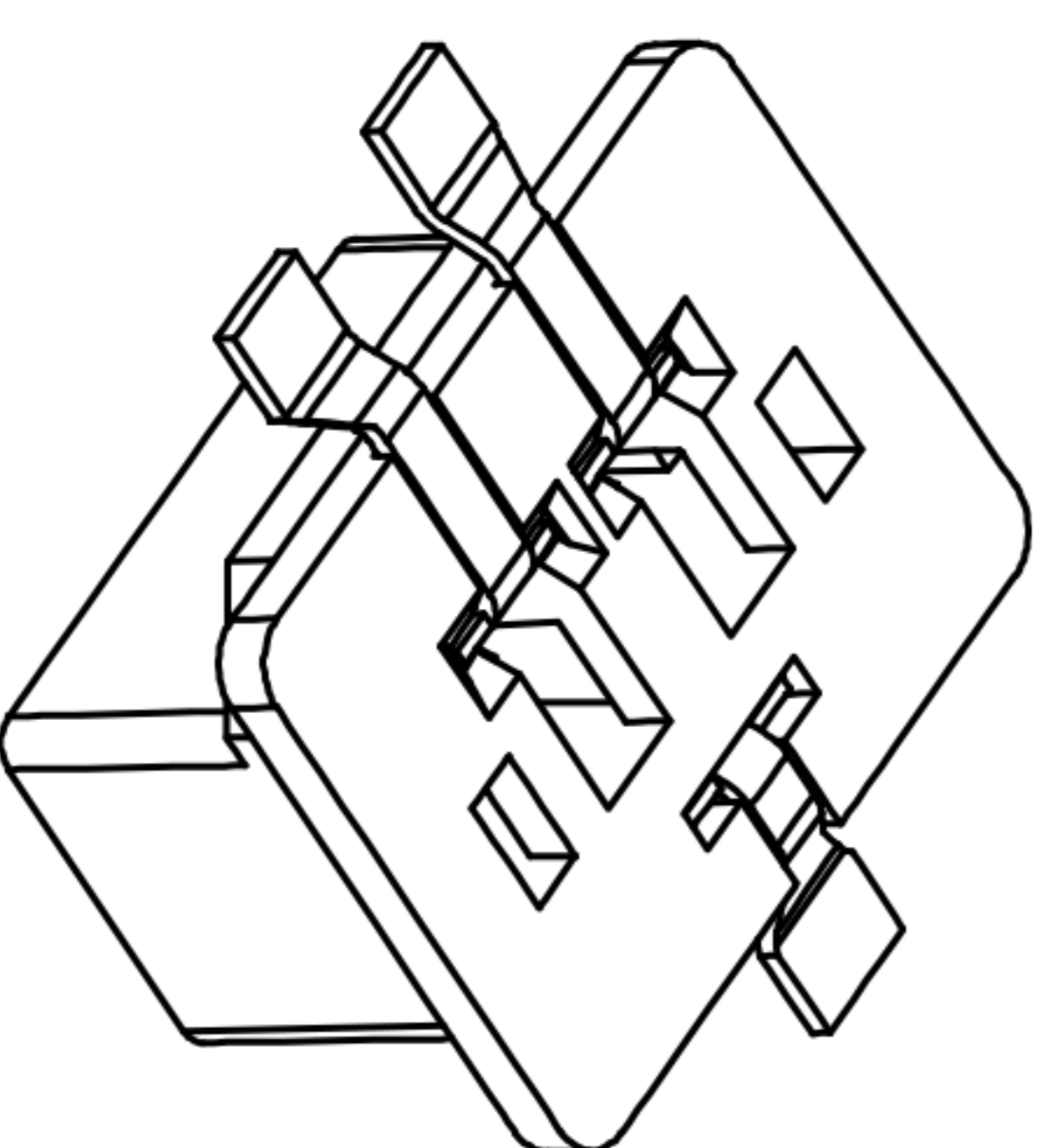
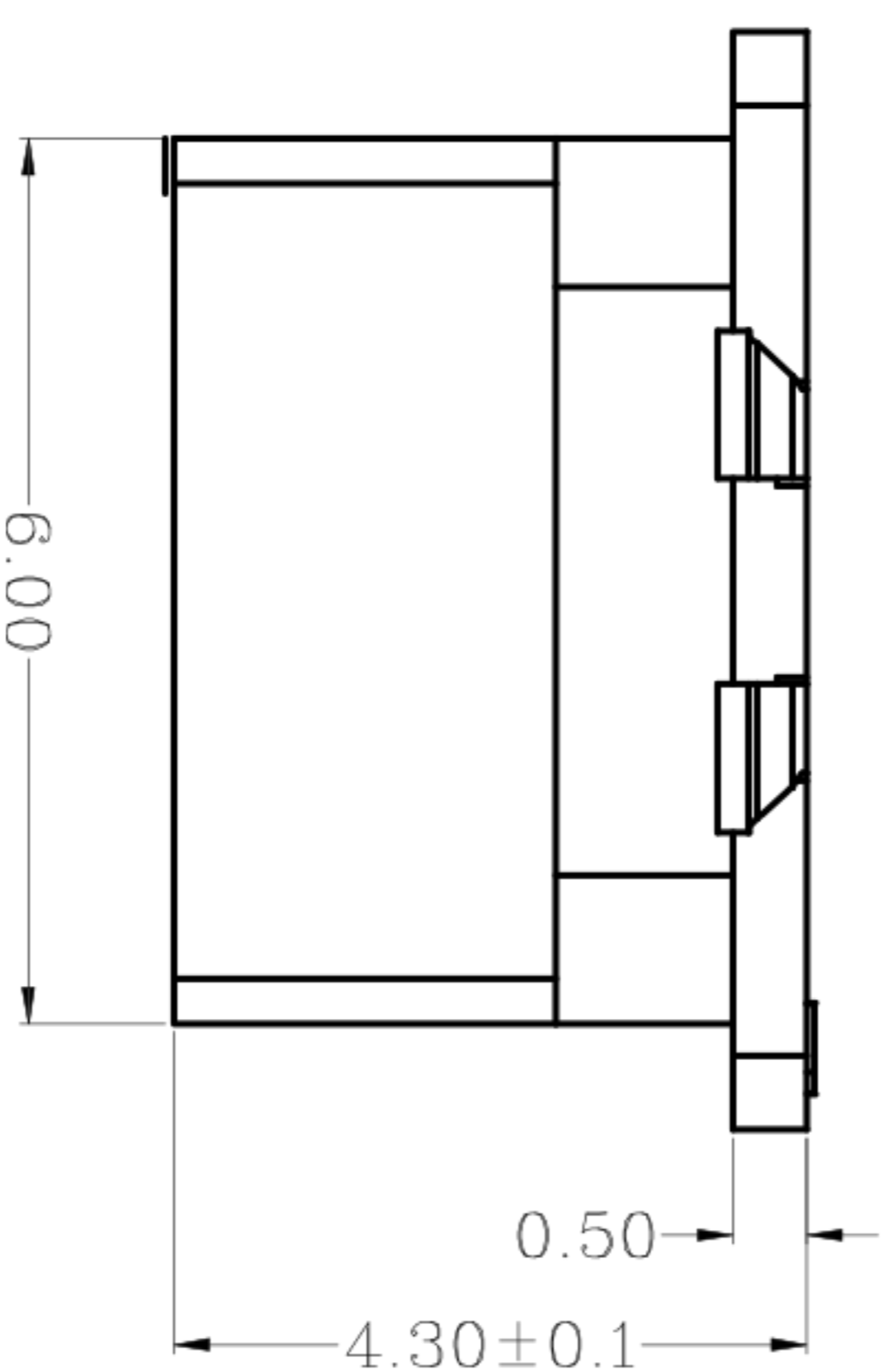


- SPECIFICATION**
- 1 Contact resistance: $\leq 20m\Omega$
 - 2 Insulation resistance: $\geq 1000M\Omega$
 - 3 Rated voltage: 150 V AC DC
 - 4 Rated current: 1.0 A AC DC
 - 5 Withstand Voltage: 1000V AC/minute
 - 6 Temperature Range: $-25^{\circ}C \sim +105^{\circ}C$



PCB LAYOUT

ECN NO.	REV.	DATE.	DESCRIPTION.	CHANGE.	CHECK.	APPRO.
	A		NEW			

APPROVALS		DATE	<p>深圳市联丰电子有限公司 SHENZHEN LIANFENG ELECTRONIC CO.,LTD</p>			
DRAWN	ZHIWEI.CHEN	2015.07.07	TITLE:	2.00mm Crimp Style Connector		
CHECKED			PART NO.	GP01-2001M-02		
APPROVALS			UNIT:	mm		
TOLERANCES ARE		ANGLE	SCALE:	1:1		
30~以上	±0.30	±2°	DRAWING NO.	PROJ:		
10~30	±0.20			SHEET 1 OF 1		
5~10	±0.15					
~ 5	±0.10					