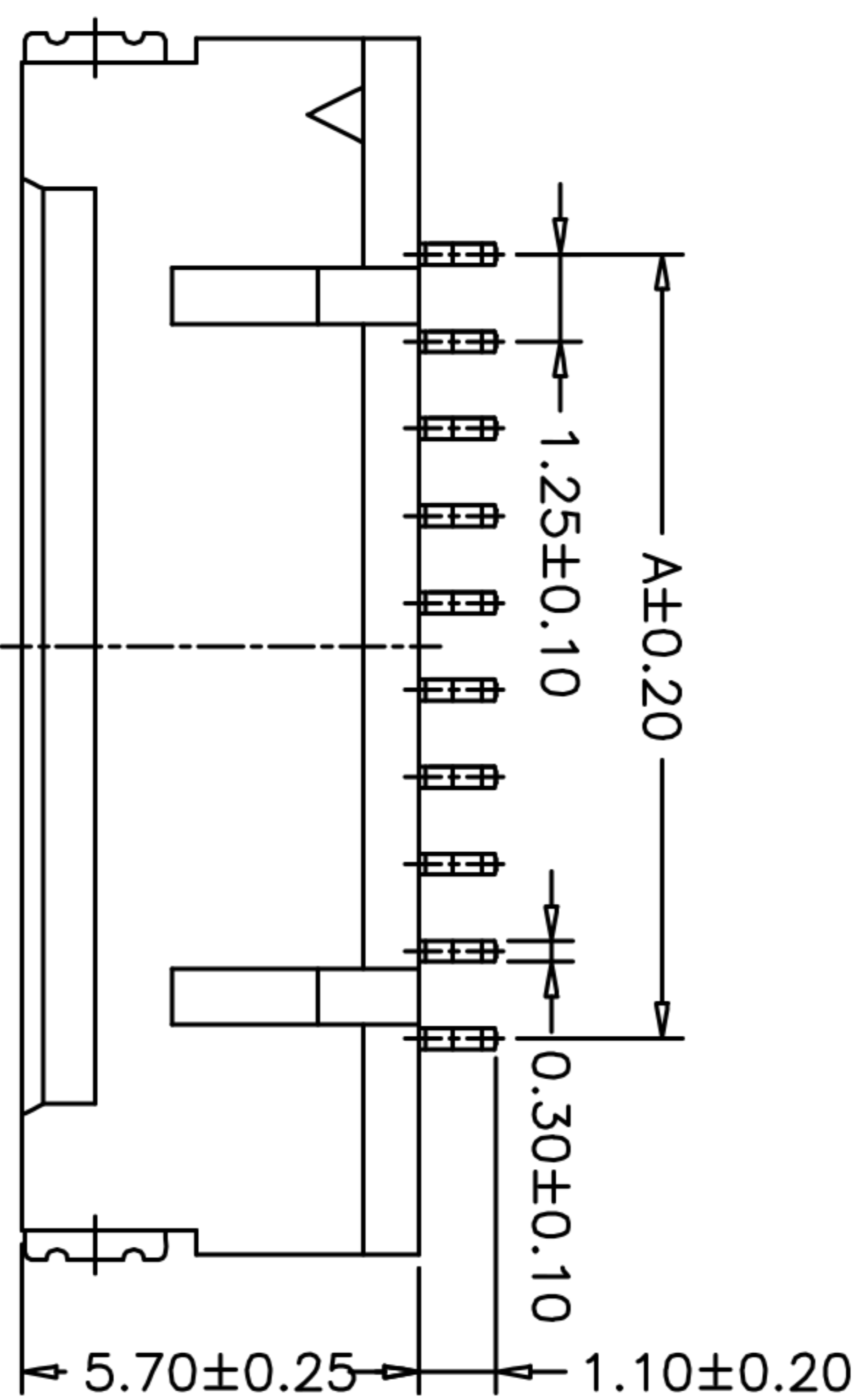
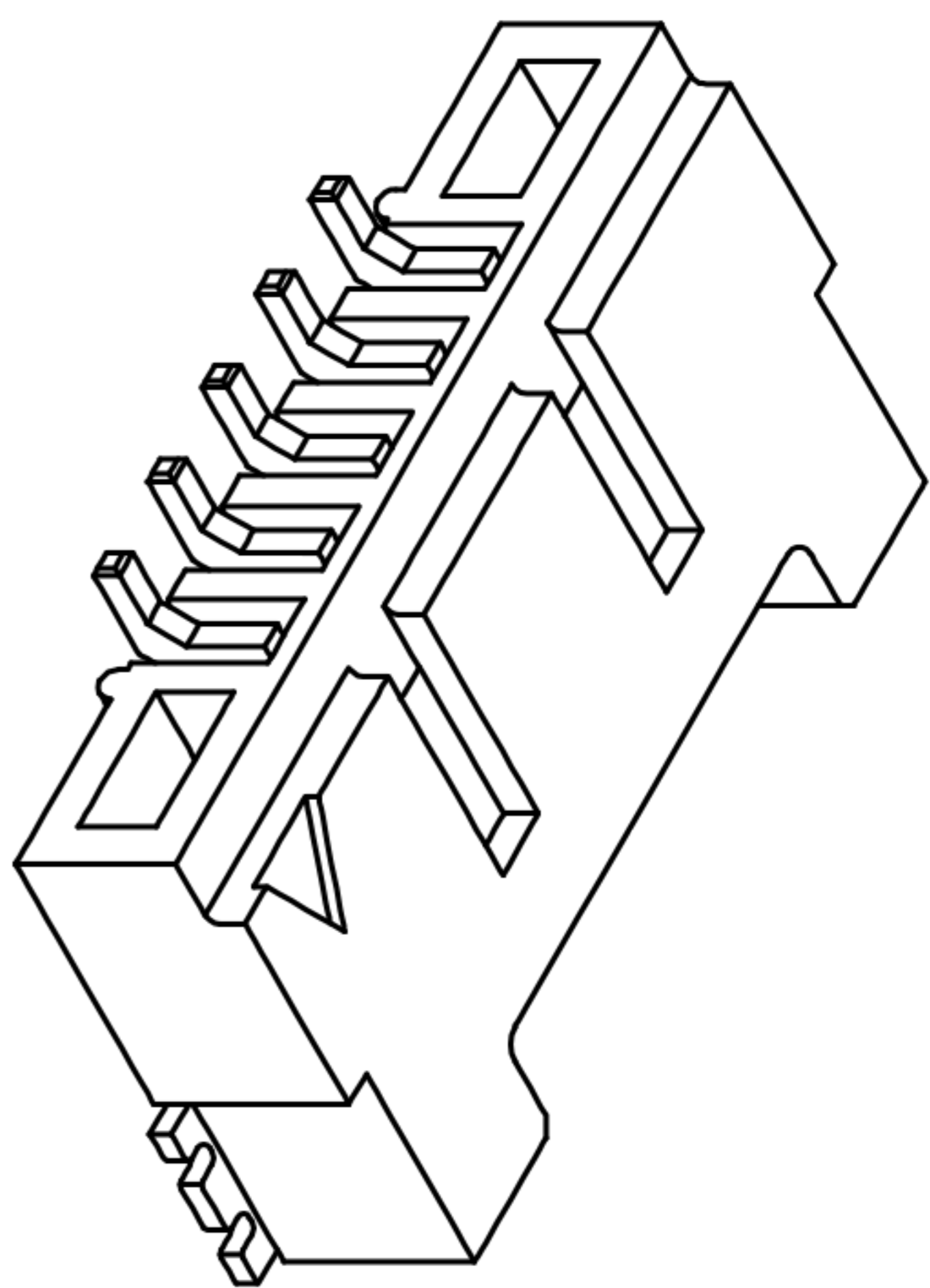
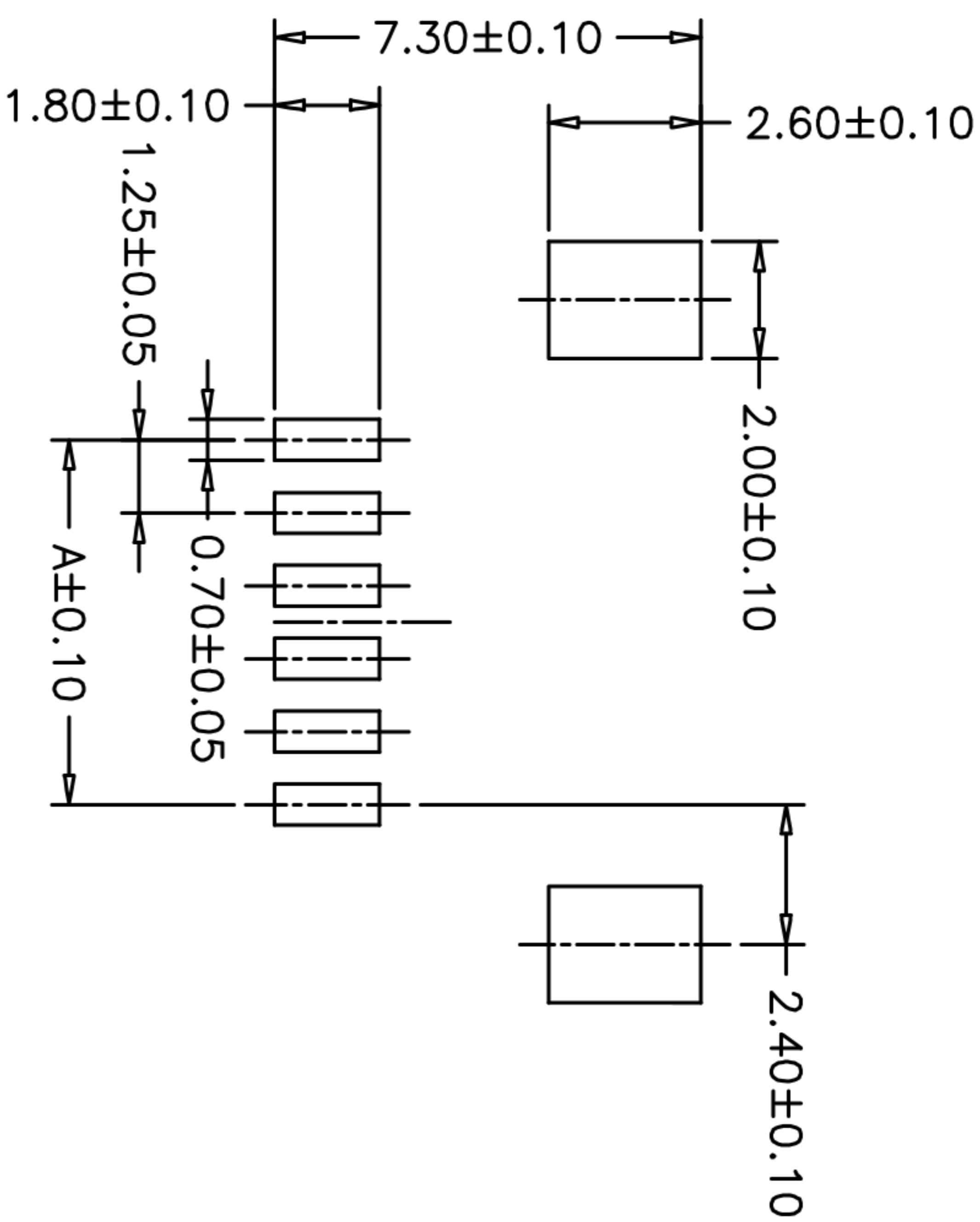


02P

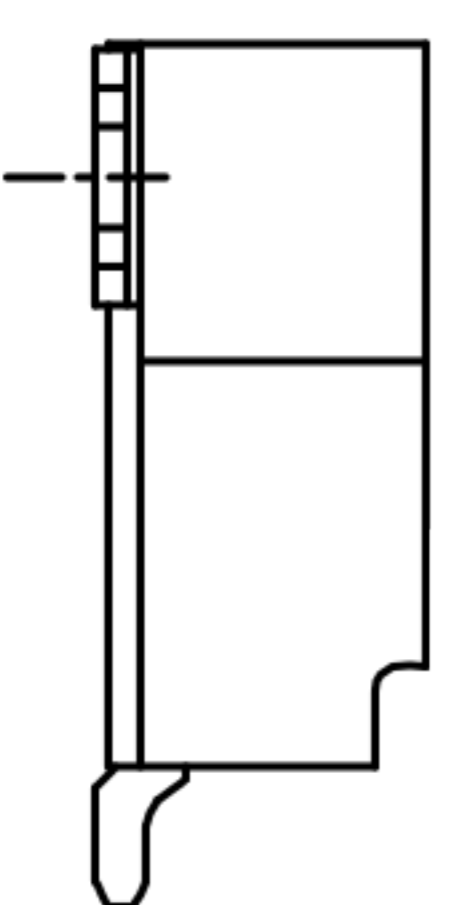
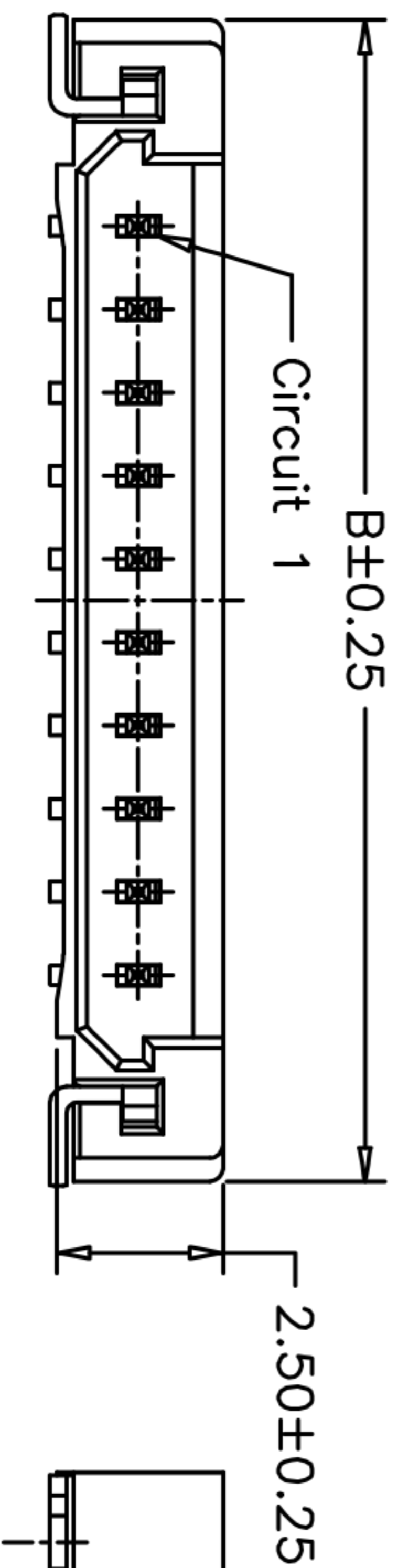
03P



04P~30P



P.C.B. LAYOUT



**SPECIFICATIONS**  
 Current Rating: 1A AC,DC  
 Voltage Rating: 150V AC,DC  
 Temperature Range: -25°C ~ +85°C  
 Contact Resistance: 30mΩ Max.  
 Insulation Resistance: 500MΩ Min.  
 Withstanding Voltage: 500V AC/minute  
 Pin Material: Brass/Tin-plated  
 Solder Tabs: Brass/Tin-plated  
 Material: Nylon 6T,UL94V-0  
 Color: Natural(Beige)

Ordering Information & Dimensions

PART NO.	Dimensions	
	A	B
1254WR-S-02P	1.25	7.45
1254WR-S-03P	2.50	8.70
1254WR-S-04P	3.75	9.95
1254WR-S-05P	5.00	11.20
1254WR-S-06P	6.25	12.45
1254WR-S-07P	7.50	13.70
1254WR-S-08P	8.75	14.95
1254WR-S-09P	10.00	16.20
1254WR-S-10P	11.25	17.45
1254WR-S-11P	12.50	18.70
1254WR-S-12P	13.75	19.95
1254WR-S-13P	15.00	21.20
1254WR-S-14P	16.25	22.45
1254WR-S-15P	17.50	23.70
1254WR-S-20P	23.75	29.95
1254WR-S-21P	25.00	31.20
1254WR-S-25P	30.00	36.20
1254WR-S-30P	36.25	42.45

ECN NO.	REV.	DATE.	DESCRIPTION.
	A		NEW
CHANGE.	CHECK.	APPRO.	

APPROVALS		DATE	TITLE:	
DRAWN	ZHIWEI.CHEN	2015.07.07	GP01-1254WRS-NP	
CHECKED				
APPROVALS				
TOLERANCES ARE		ANGLE	UNIT: mm	SCALE: 1:1
30 <sup>以上</sup>	±0.30	±2°		PROJ.
10~30	±0.20			
5~10	±0.15			
~5	±0.10			
DRAWING NO.		SHEET 1 OF 1		



深圳市联丰电子有限公司  
 SHENZHEN LIANFENG ELECTRONIC CO.,LTD