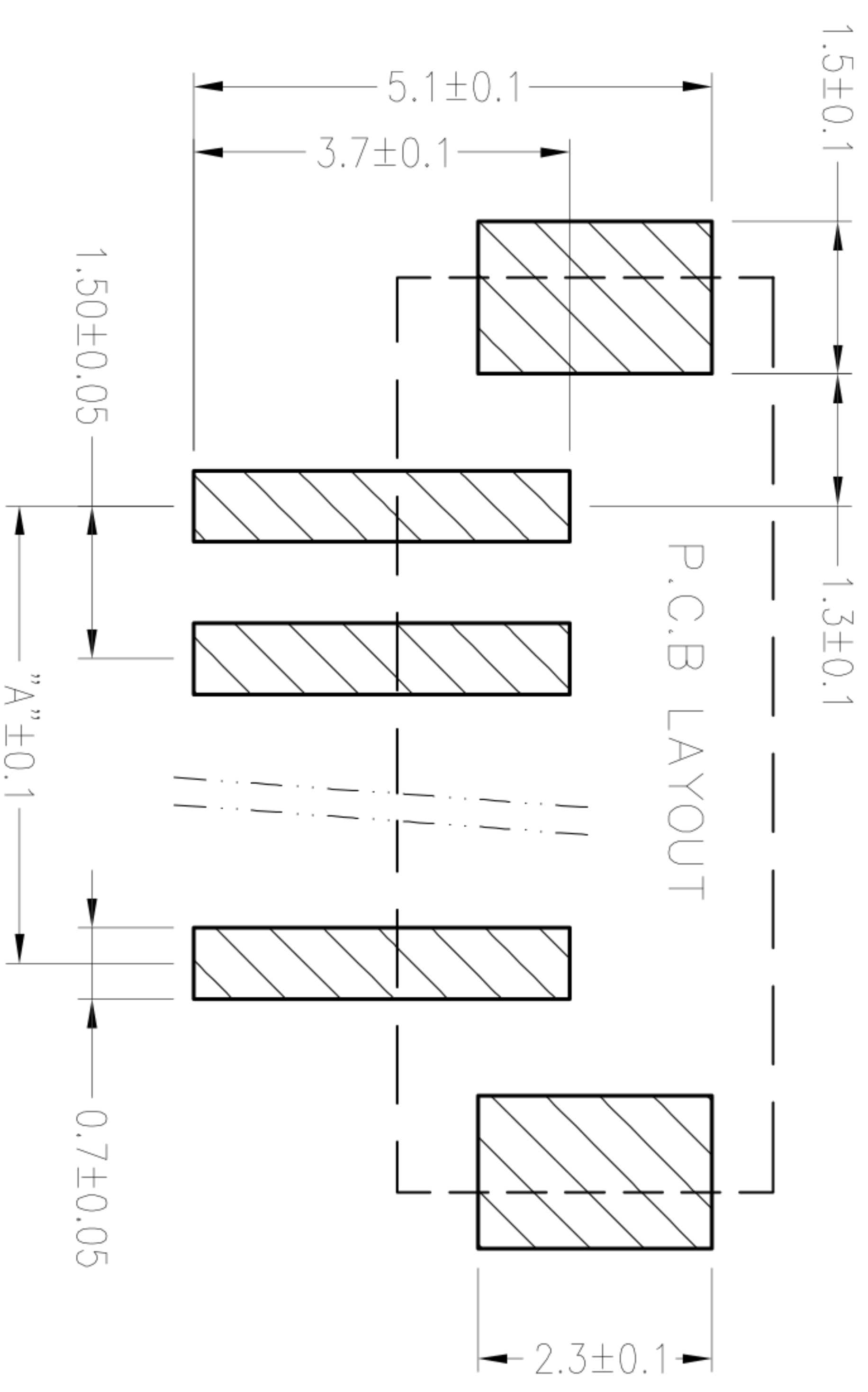
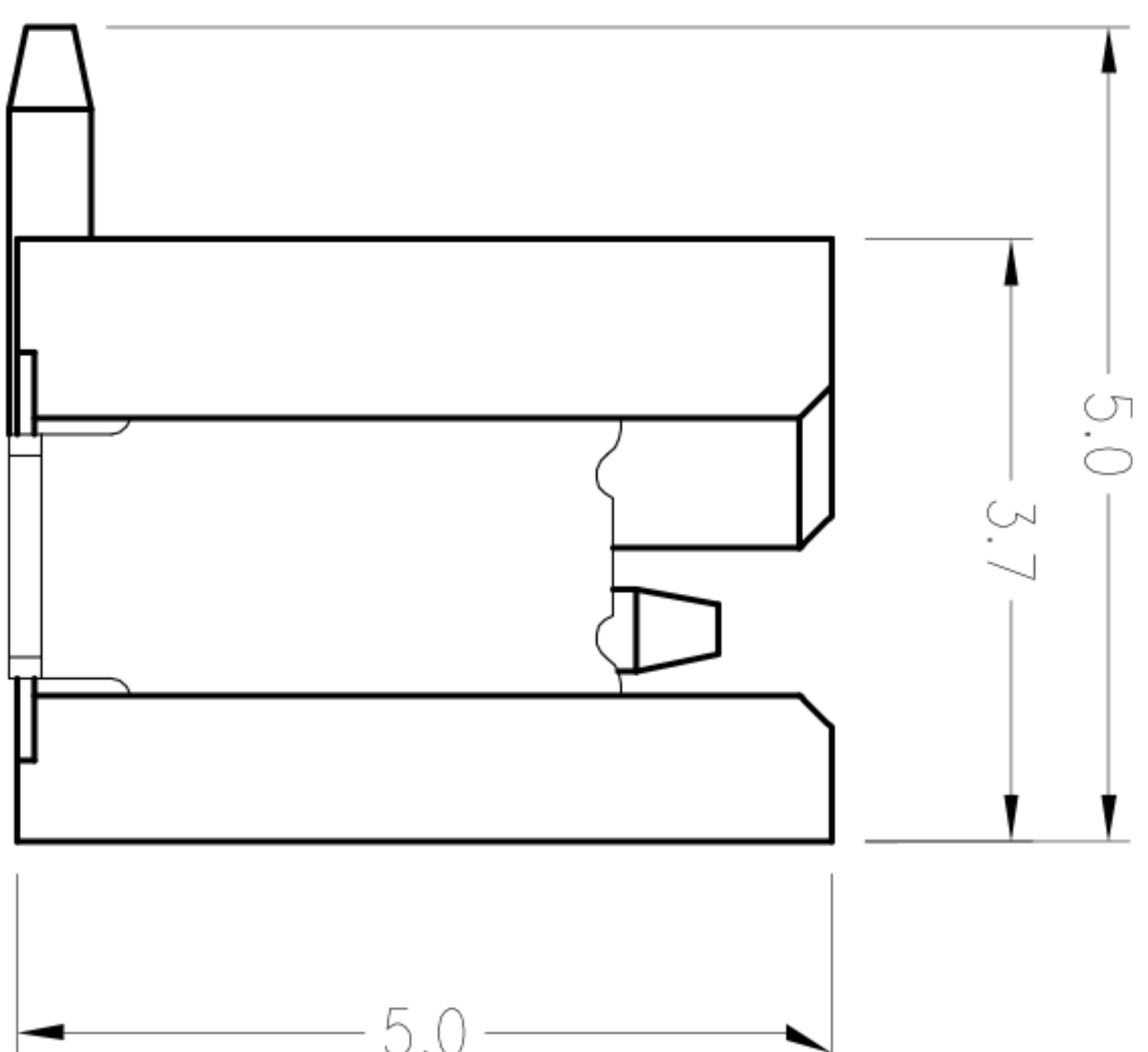
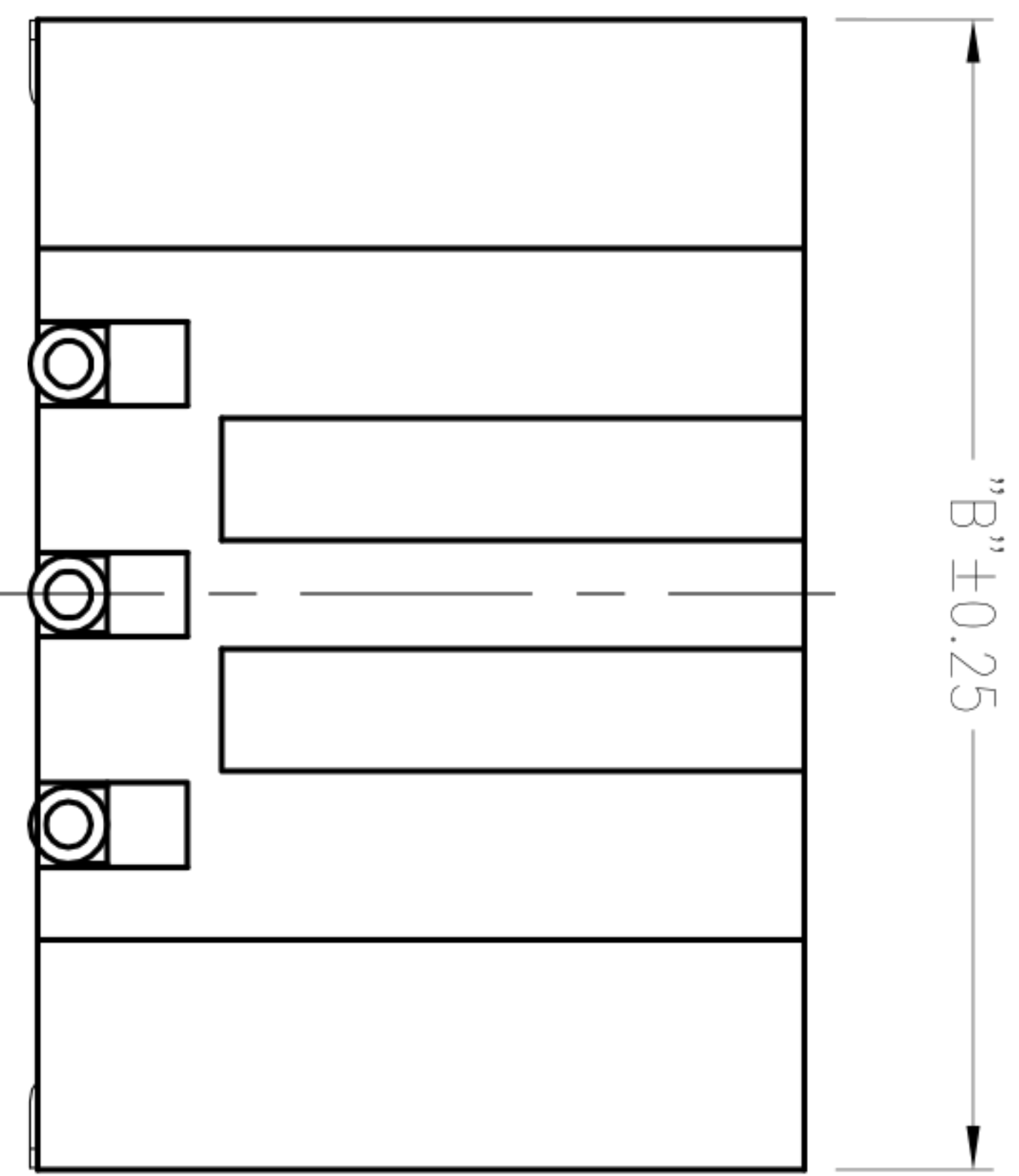
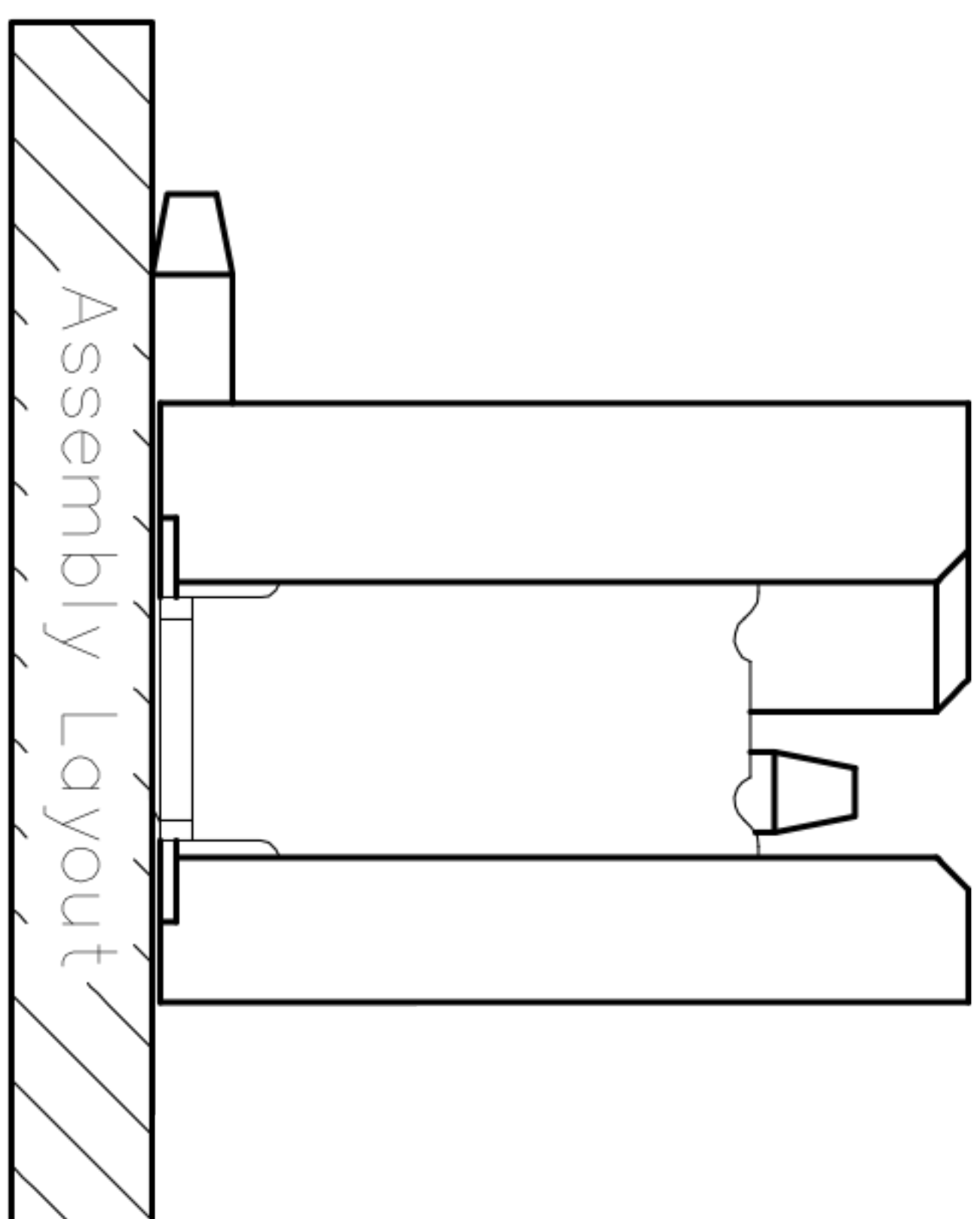
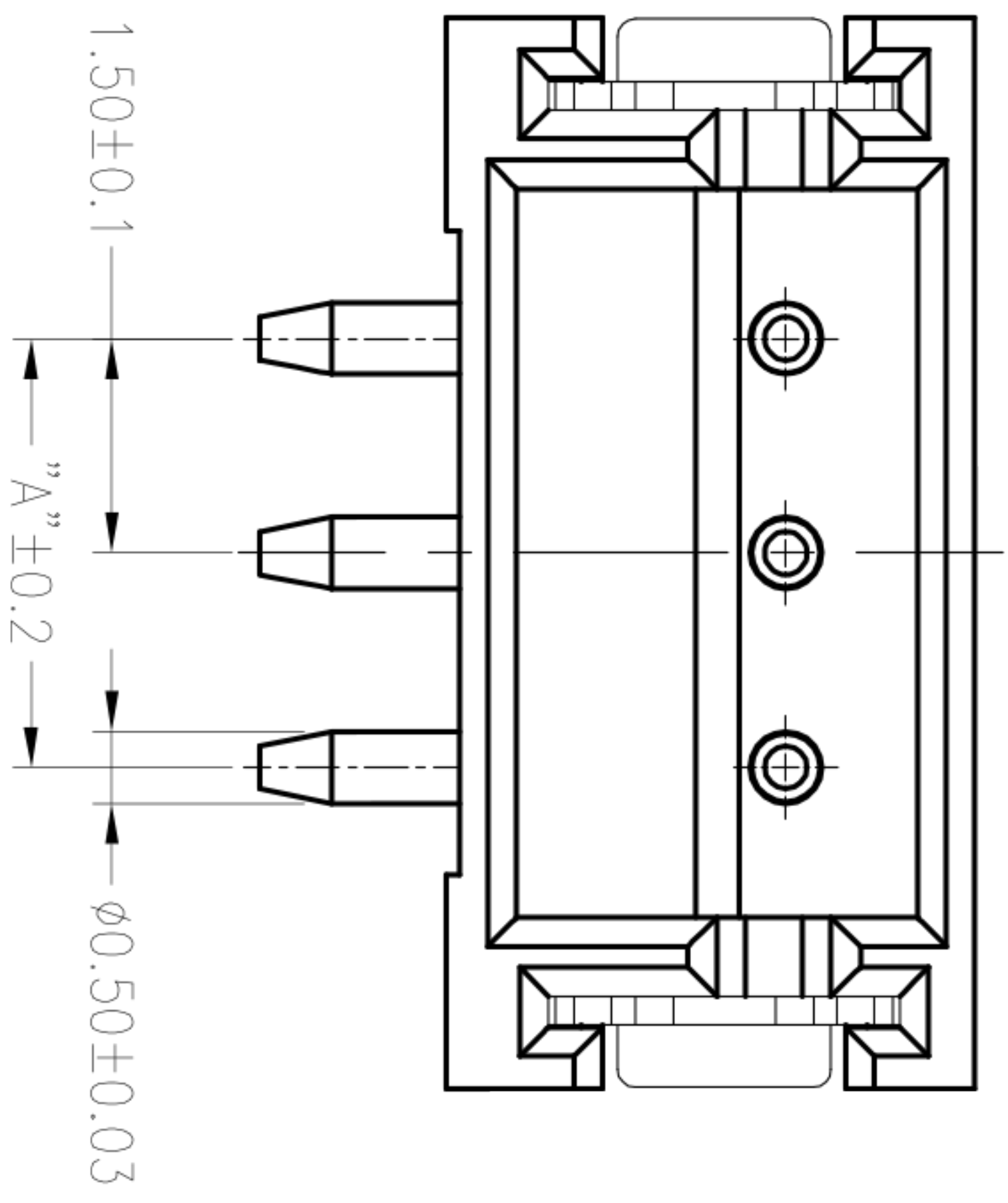


Poles	DIM.A	DIM. B
2	1.5	6.0
3	3.0	7.5
4	4.5	9.0
5	6.0	10.5
6	7.5	12.0
7	9.0	13.5
8	10.5	15.0
9	12.0	16.5
10	13.5	18.0
11	15.0	19.5
12	16.5	21.0
13	18.0	22.5
14	19.5	24.0
15	21.0	25.5
16	22.5	27.0



技术参数 SPECIFICATIONS

- ◆ 适用线规: AWG#32~#26
Applicable Wire: AWG#32~#26
- ◆ 额定电压: 50V DC,AC(rms)
Rated voltage: 50V DC,AC(rms)
- ◆ 额定电流: 1A (AWG #26)
Rated Current: 1A (AWG #26)
- ◆ 耐压值: 500V AC/minute
Withstand voltage: 500V AC/min.
- ◆ 工作温度: -25°C ~ +85°C
Working Temp : -25°C ~ +85°C
- ◆ 绝缘电阻: ≥500 MΩ
Insulation resistance: ≥500 MΩ
- ◆ 接触电阻: ≤20 mΩ
Contact resistance: ≤20 mΩ

材料 MATERIAL

- ◆ 绝缘体: 尼龙9T, UL94-V0
Insulator: Nylon9T, UL94-V0
- ◆ 接触针: 黄铜
Contact PIN: Brass
- ◆ 焊片: 磷铜
Solder tpb: Phosphor bronze

ECN NO.	REV.	DATE.	DESCRIPTION.
	A		NEW

APPROVALS		DATE	TITLE:	
DRAWN	ZHIWEI.CHEN	2015.07.07	PART NO.	GP01-1500WV-S-NP
CHECKED			SCALE:	1:1
APPROVALS			PROJ:	
TOLERANCES ARE			UNIT:	mm
30~以上	±0.30	ANGLE	±2°	DRAWING NO.
10~30	±0.20			
5~10	±0.15			
~ 5	±0.10			



深圳市联丰电子有限公司
SHENZHEN LINFENG ELECTRONIC CO.,LTD