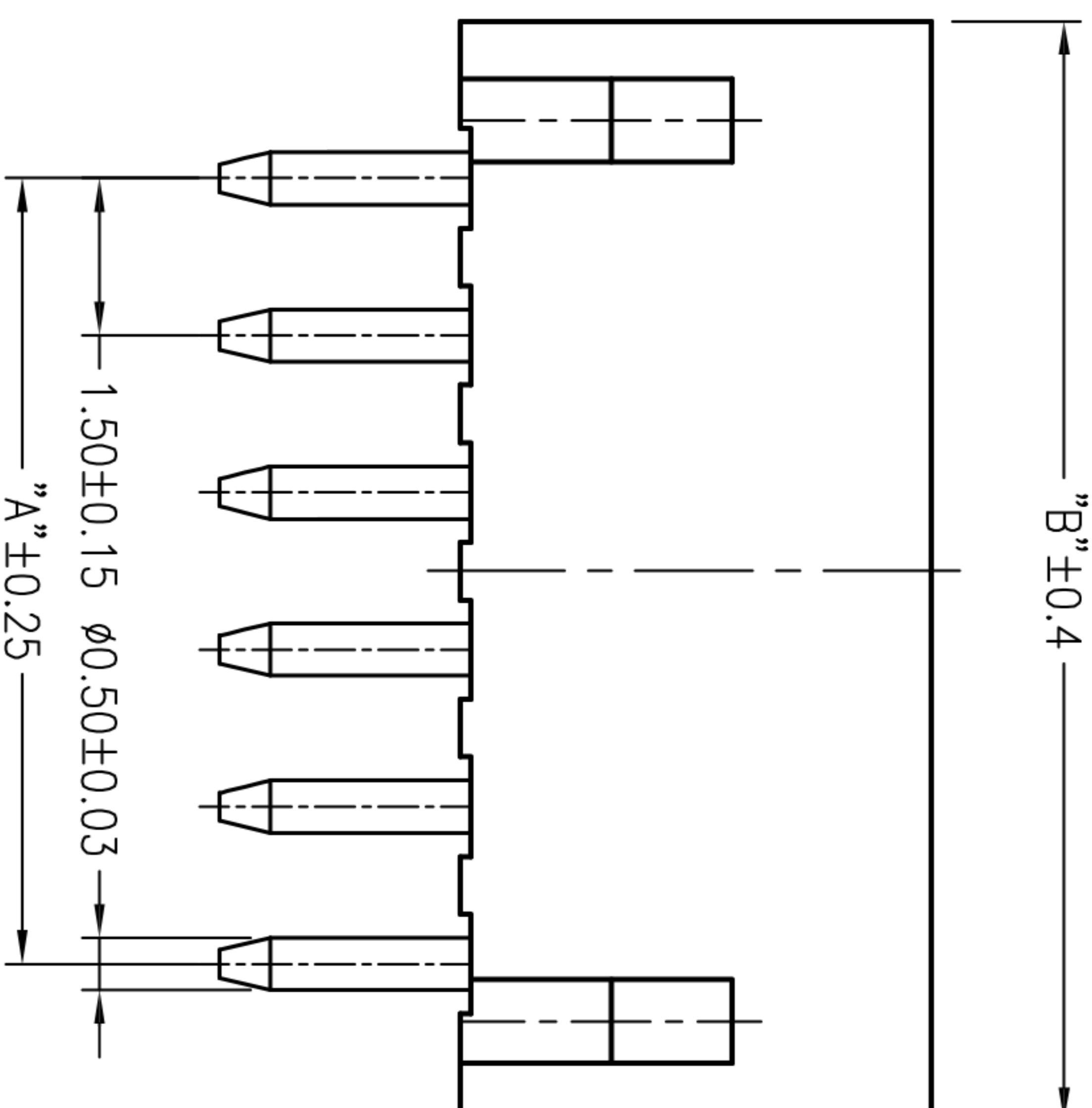
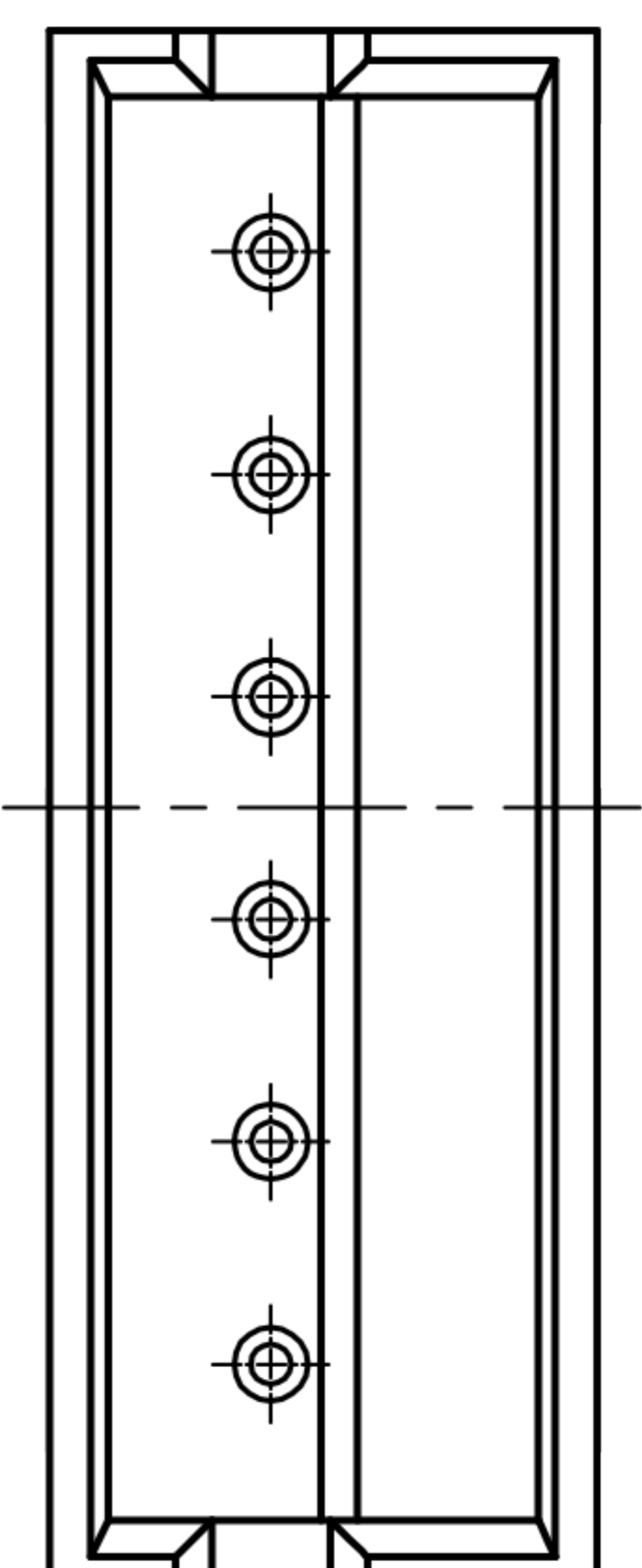


Poles	DIM.A	DIM.B
2P	1.5	4.5
3P	3.0	6.0
4P	4.5	7.5
5P	6.0	9.0
6P	7.5	10.5
7P	9.0	12.0
8P	10.5	13.5
9P	12.0	15.0
10P	13.5	16.5
11P	15.0	18.0
12P	16.5	19.5
13P	18.0	21.0
14P	19.5	22.5
15P	21.0	24.0
16P	22.5	25.5

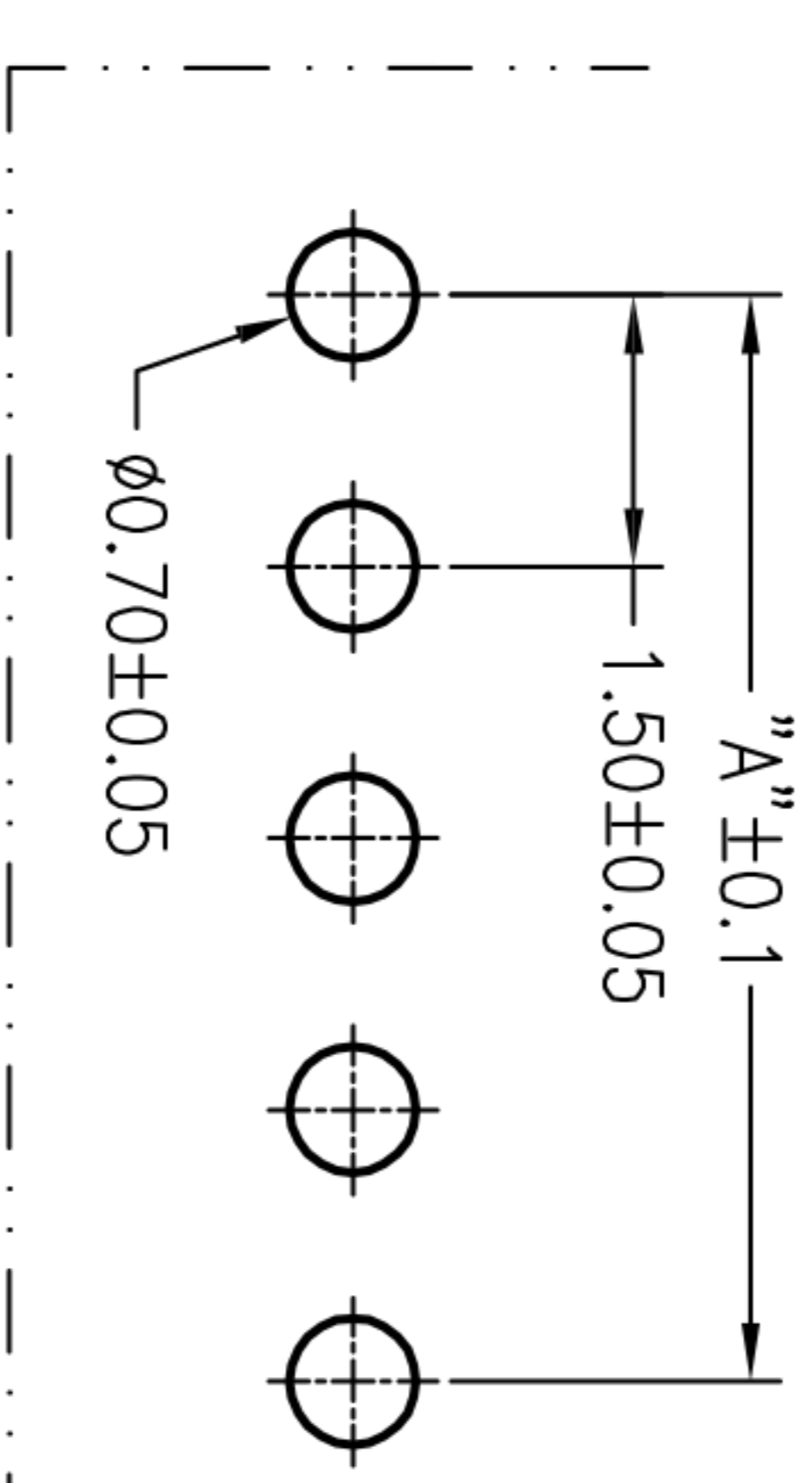


**技术参数 SPECIFICATIONS**

- ◆ 适用线规: AWG.#26~#32
- ◆ Applicable Wire: AWG.#26~#32
- ◆ 额定电压: 50V DC/AC(rms)
- ◆ Rated voltage: 50V DC/AC(rms)
- ◆ 额定电流: 1A (AWG #26)
- ◆ Rated Current: 1A (AWG #26)
- ◆ 耐压值: 500V AC/minute
- ◆ Withstand voltage: 500V AC/min.
- ◆ 工作温度: -25°C ~ +85°C
- ◆ Working Temp : -25°C ~ +85°C
- ◆ 绝缘电阻:  $\geq 500 \text{ M}\Omega$
- ◆ Insulation resistance:  $\geq 500 \text{ M}\Omega$
- ◆ 接触电阻:  $\leq 20 \text{ m}\Omega$
- ◆ Contact resistance:  $\leq 20 \text{ m}\Omega$

**材料 MATERIAL**

- ◆ 绝缘体: 尼龙46, UL94-V0
- ◆ Insulator: PA46, UL94-V0
- ◆ 接触针: 黄铜
- ◆ Contact PIN: Brass



P.C.B LAYOUT

ECN NO.	REV.	DATE.	DESCRIPTION.	CHANGE.	CHECK.	APPRO.
	A		NEW			

APPROVALS		DATE	TITLE:			
DRAWN	ZHIWEI.CHEN	2019.10.07	PART NO. GP01-1500W-NP			
CHECKED			UNIT: mm SCALE: 1:1			
APPROVALS			PROJ. SHEET 1 OF 1			
TOLERANCES ARE			30~以上	±0.30	ANGLE	±2°
			10~30	±0.20		
			5~10	±0.15		
			~ 5	±0.10		



**深圳市联丰电子有限公司**  
SHENZHEN LINFENG ELECTRONIC CO.,LTD