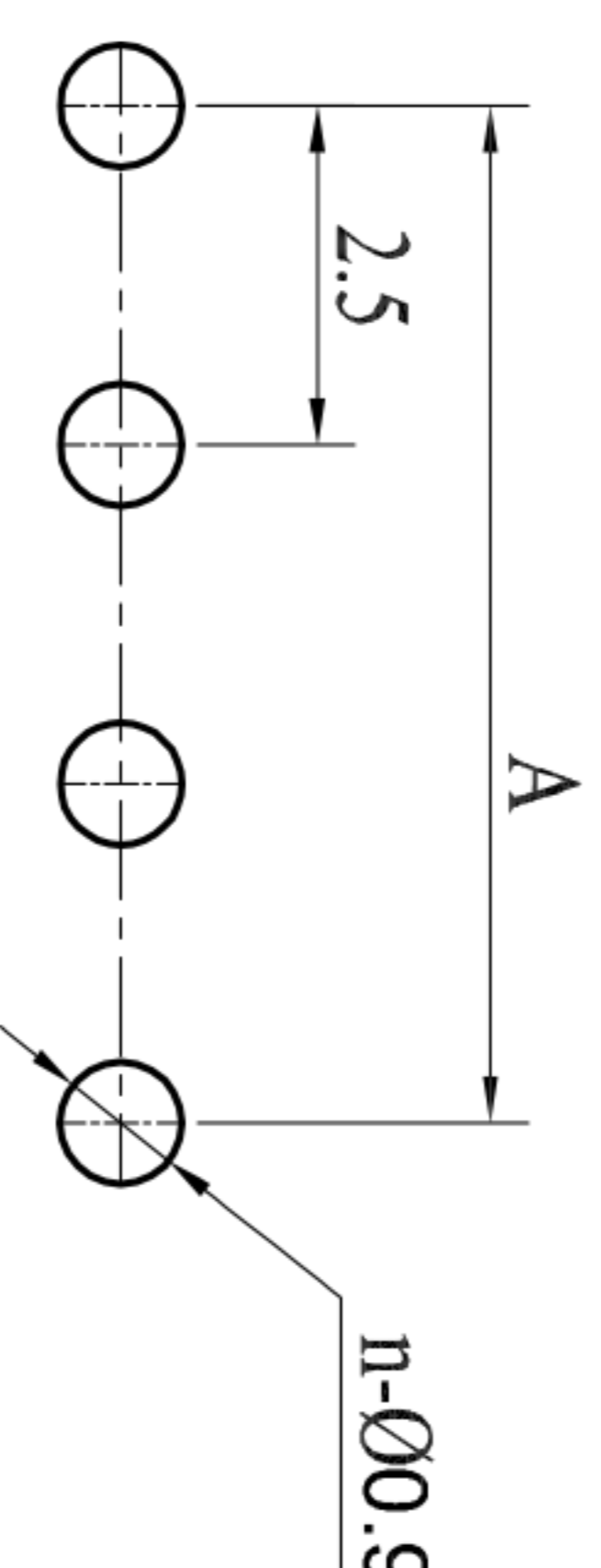
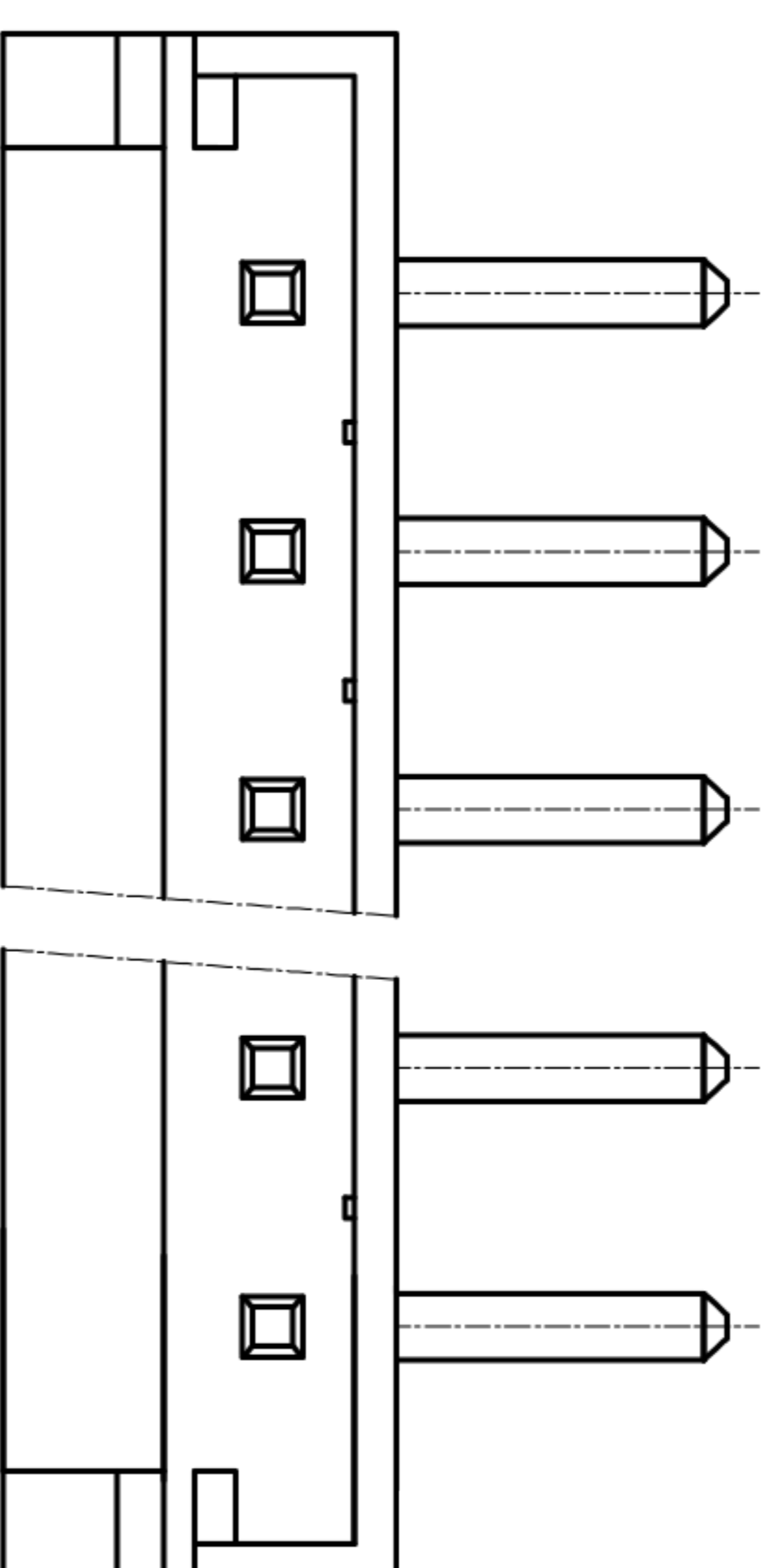
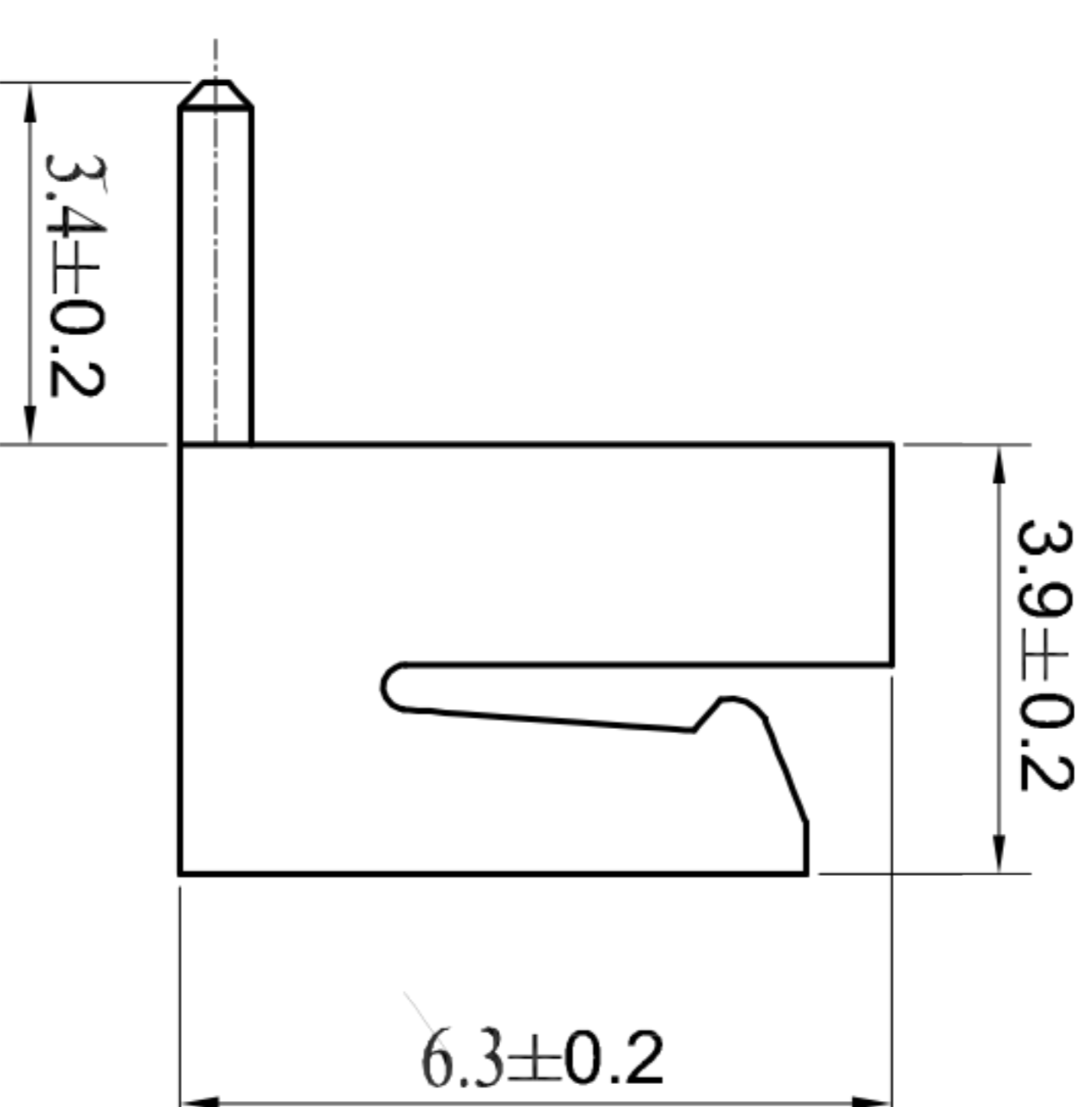
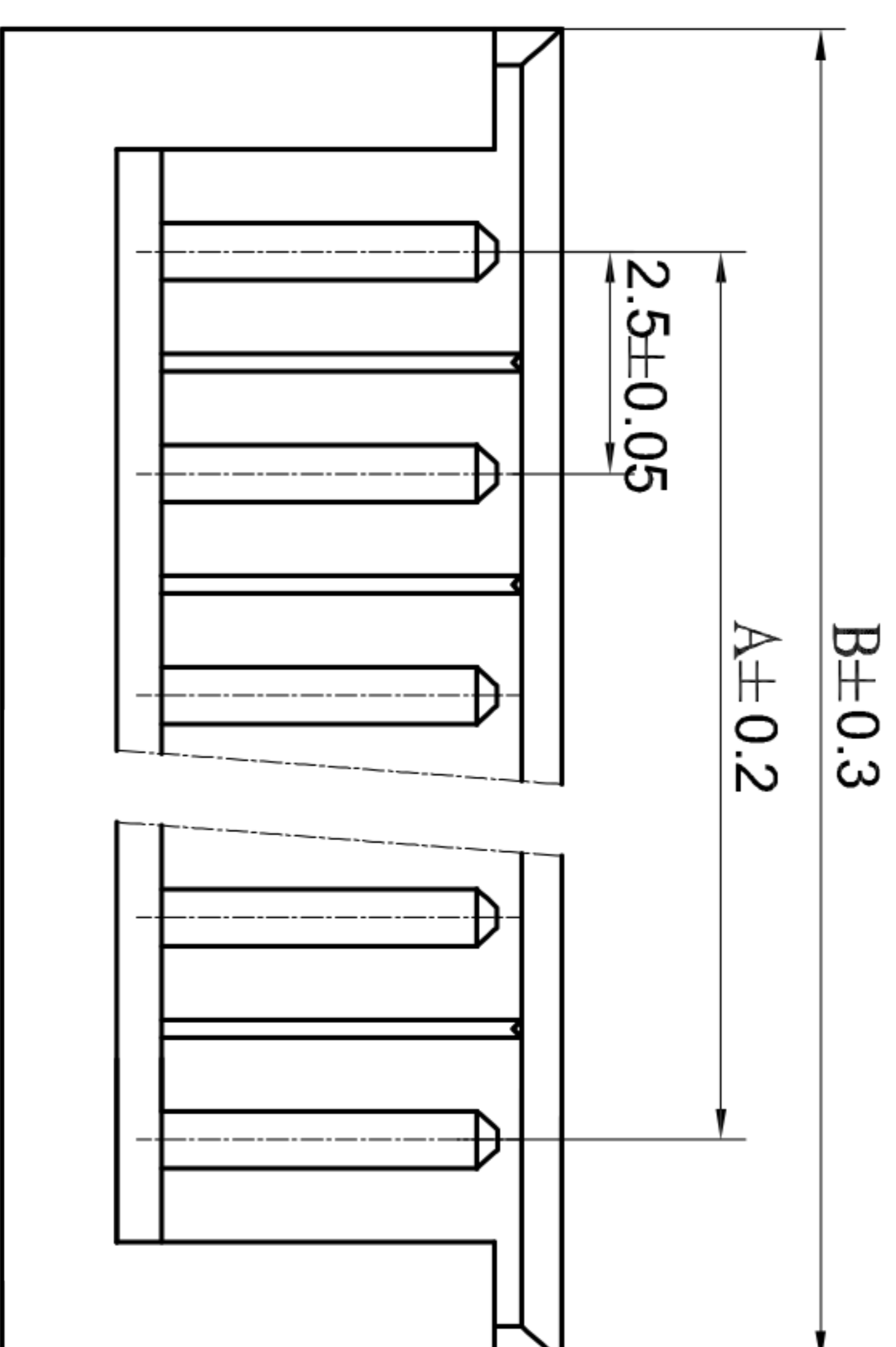


POLES	DIMENSIONS(mm)	
	A	B
2	2.5	7.5
3	5.0	10.0
4	7.5	12.5
5	10.0	15.0
6	12.5	17.5
7	15.0	20.0
8	17.5	22.5
9	20.0	25.0
10	22.5	27.5
11	25.0	30.0
12	27.5	32.5
13	30.0	35.0
14	32.5	37.5
15	35.0	40.0



PCB 安装尺寸图

■ 技术参数 (SPECIFICATIONS)

- ◆ 额定电压: 250V AC DC
- ◆ Voltage rating: 250V AC DC
- ◆ 额定电流: 3.0A AC DC MAX
- ◆ Current rating: 3.0A AC DC MAX
- ◆ 耐压值: 800V AC/minute
- ◆ Withstand voltage: 800V AC/minute
- ◆ 绝缘电阻: 1000MΩ MIN
- ◆ Insulation resistance: 1000MΩ MIN
- ◆ 接触电阻: 0.02Ω MAX
- ◆ Contact resistance: 0.02Ω MAX
- ◆ 工作温度: -25°C ~+85°C
- ◆ Working Temperature: -25°C ~+85°C
- ◆ 间距: 2.5 mm
- ◆ Pitch: 2.5 mm

■ 材料 (MATERIAL)

- ◆ 基座: 尼龙66
- ◆ Water: Nylon66
- ◆ 插针: 黄铜
- ◆ Pin: Brass

ECN NO.	REV.	DATE.	DESCRIPTION.
	A		NEW

APPROVALS		DATE	TOLERANCES ARE	
DRAWN	ZHIWEI.CHEN	2015.07.07	30~以上	±0.30
CHECKED			10~30	±0.20
APPROVALS			5~10	±0.15
			~ 5	±0.10
TITLE:		PART NO.	UNIT:	SCALE:
		GP01-2502WR-NP	mm	1:1
DRAWING NO.				PROJ. SHEET
				1 OF 1



深圳市联丰电子有限公司
SHENZHEN LINFENG ELECTRONIC CO.,LTD