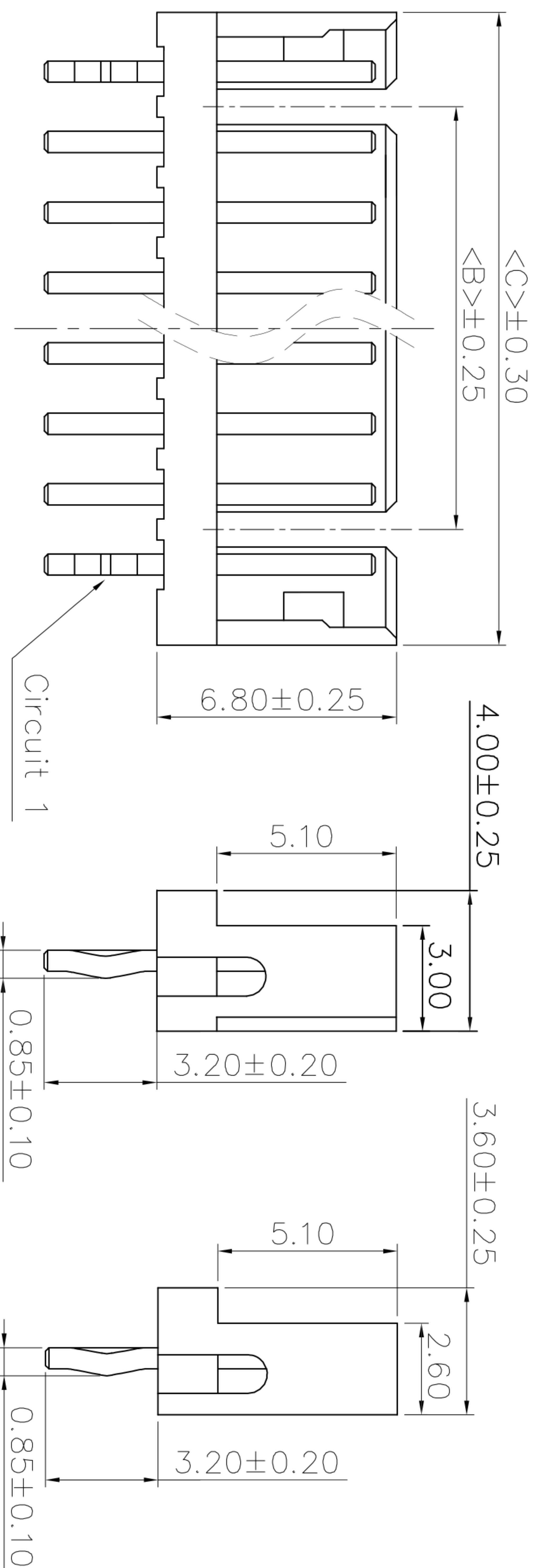
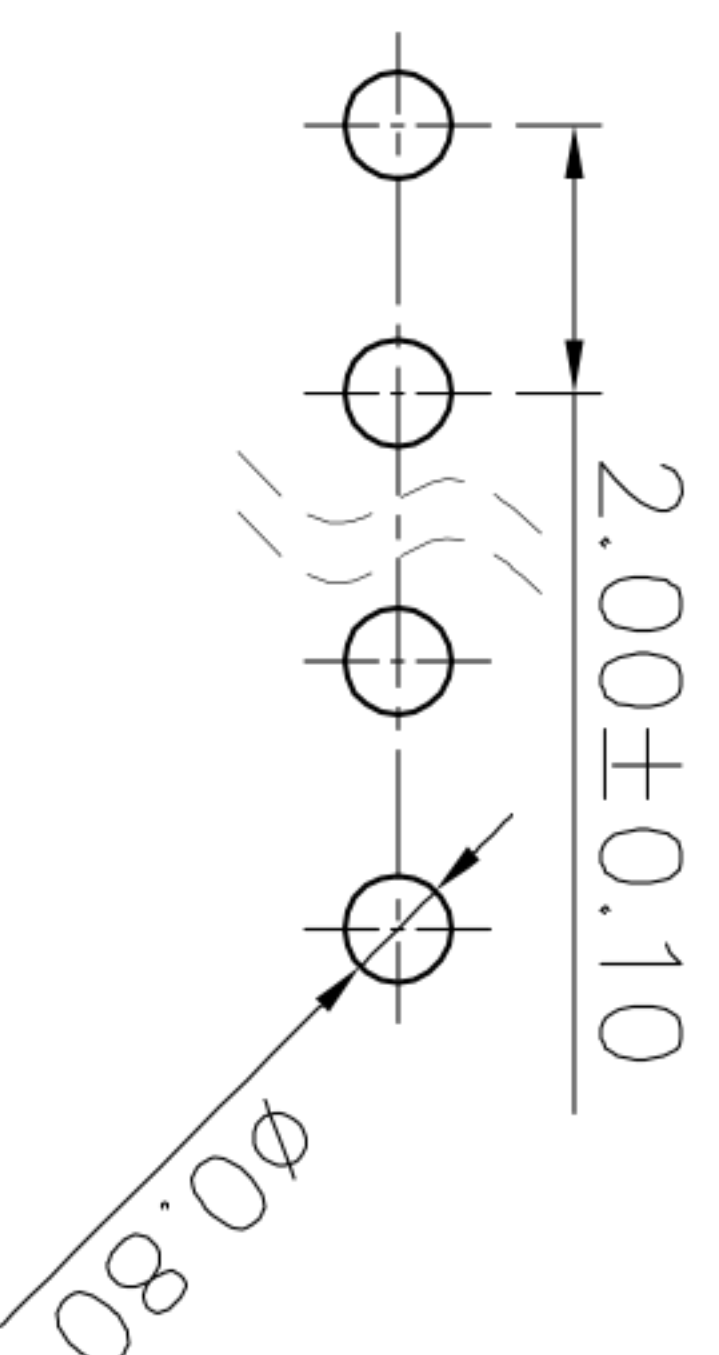


Specifications:
 Current rating: 4A AC/DC.
 Voltage rating: 125V AC/DC
 Temperature range: -40°C~+105°C.
 Contact resistance: 10MΩ Max.
 Insulation resistance: 1000MΩ Min.
 Withstanding voltage: 1000V AC/minute.
 Material: PA66.UL94V-0.



Recommended P.C.B Layout(Top Side)
 P.C.B Thickness = 1.20mm (Tolerance=±0.05)



PART NO.	Dimensions		
	A	B	C
2003WV-02P	2.00	/	5.96
2003WV-03P	4.00	/	7.95
2003WV-04P	6.00	4.00	9.96
2003WV-05P	8.00	6.00	11.96
2003WV-06P	10.00	8.00	13.96
2003WV-07P	12.00	10.00	15.96
2003WV-08P	14.00	12.00	17.96
2003WV-09P	16.00	14.00	19.96
2003WV-10P	18.00	16.00	21.96
2003WV-11P	20.00	18.00	23.96
2003WV-12P	22.00	20.00	25.96
2003WV-13P	24.00	22.00	27.96
2003WV-14P	26.00	24.00	29.96
2003WV-15P	28.00	26.00	31.96

ECN NO.	REV.	DATE.	DESCRIPTION.	CHANGE.	CHECK.	APPRO.
	A		NEW			

APPROVALS		DATE	TITLE:	
DRAWN	ZHIWEI.CHEN	2015.07.07	PART NO. GP01-2003WV-NP	
CHECKED			SCALE: 1:1	
APPROVALS			PROJ:	
TOLERANCES ARE		ANGLE	UNIT: mm	DRAWING NO.
30°以上	±0.30	±2°		
10~30	±0.20			
5~10	±0.15			
~ 5	±0.10			SHEET 1 OF 1

深圳市联丰电子有限公司
 SHENZHEN LINFENG ELECTRONIC CO.,LTD