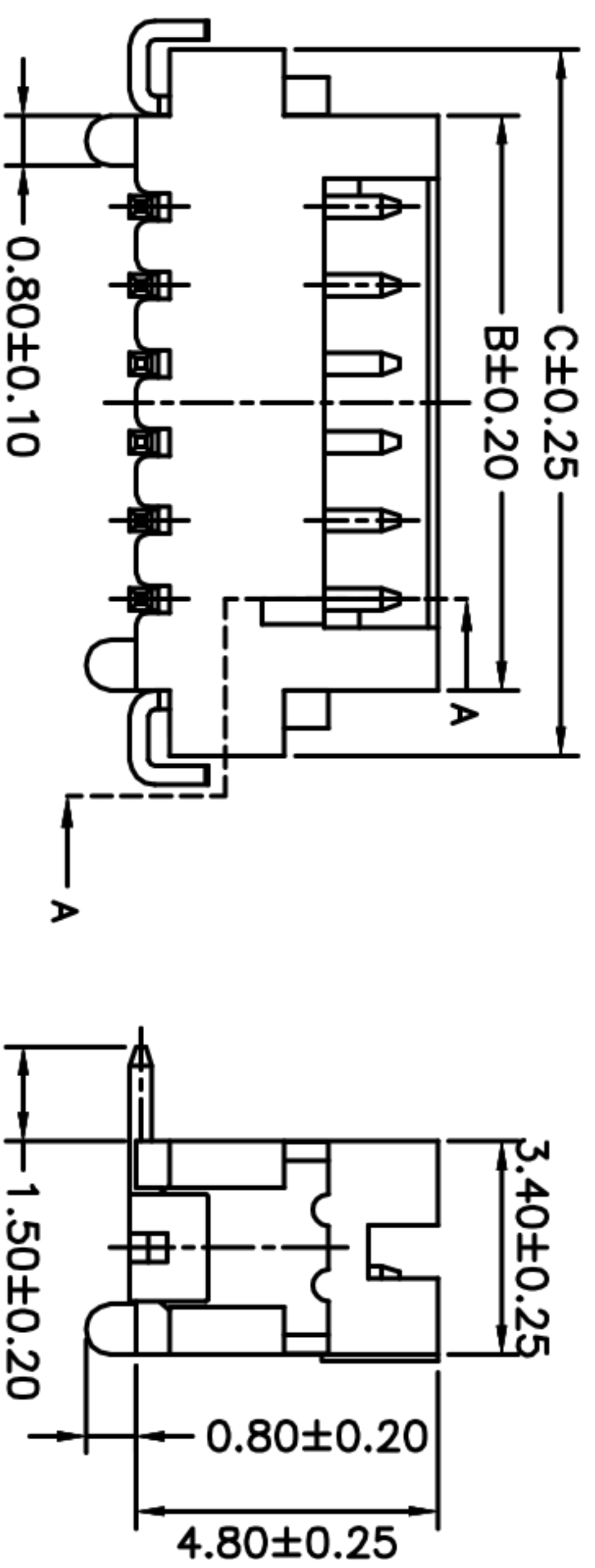
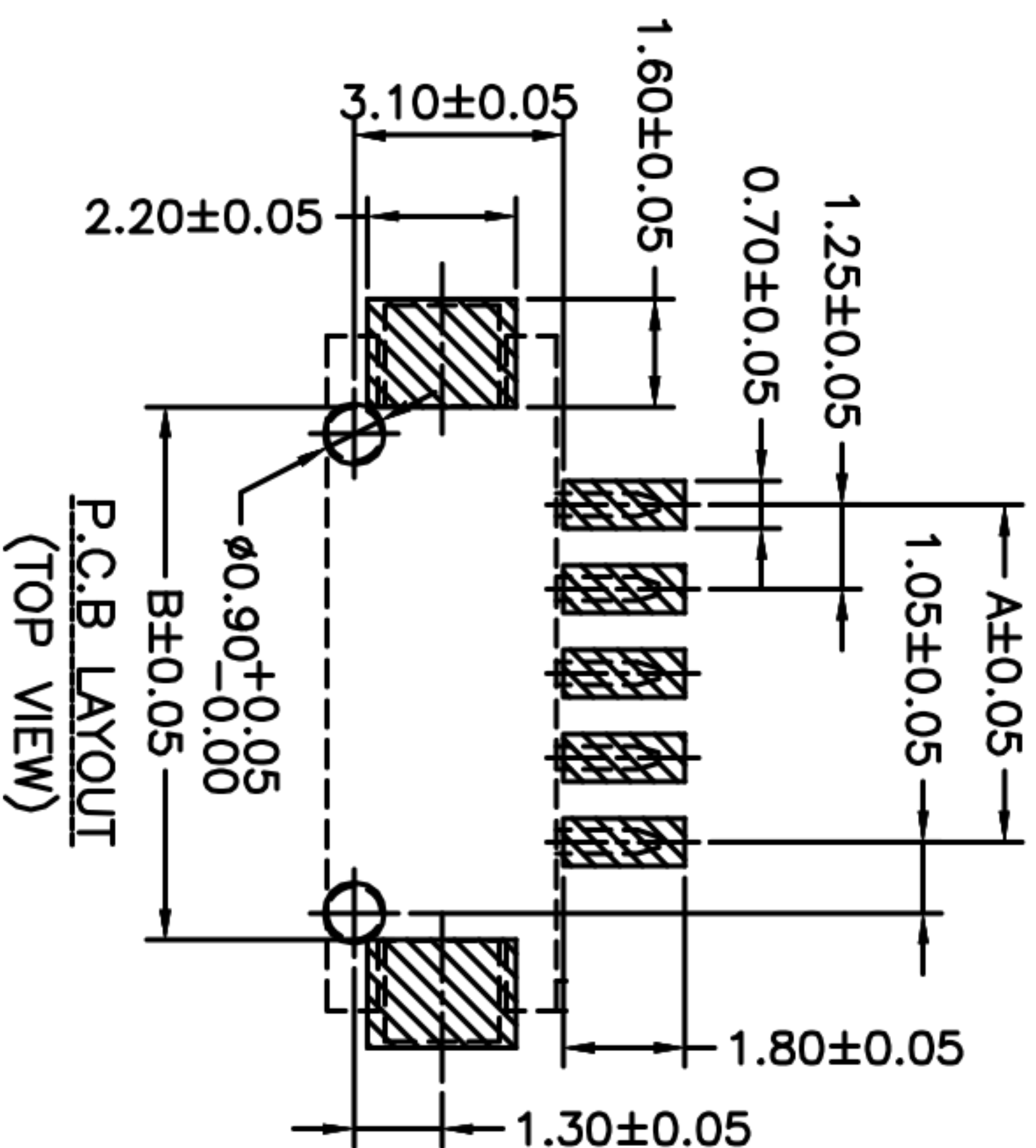
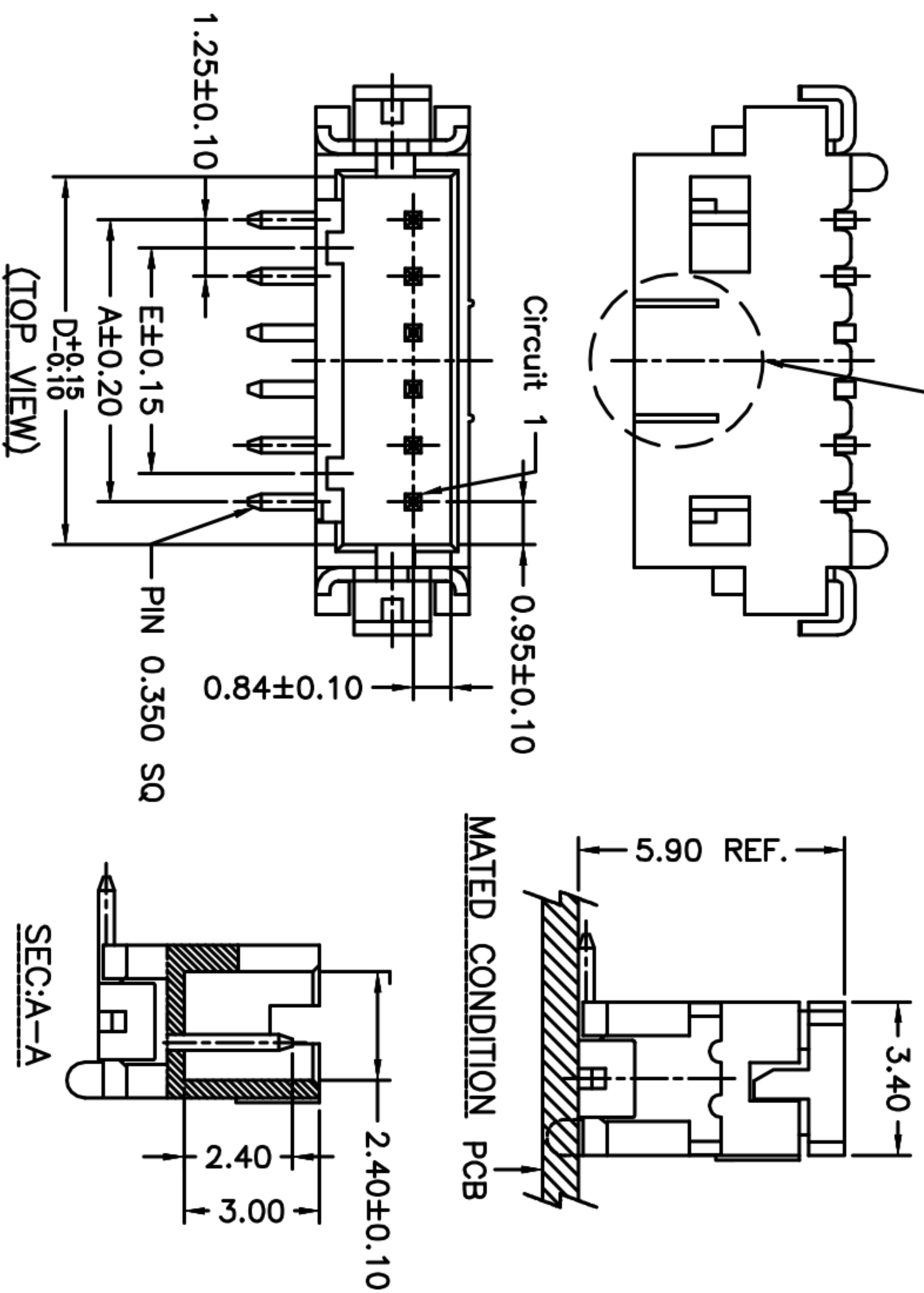
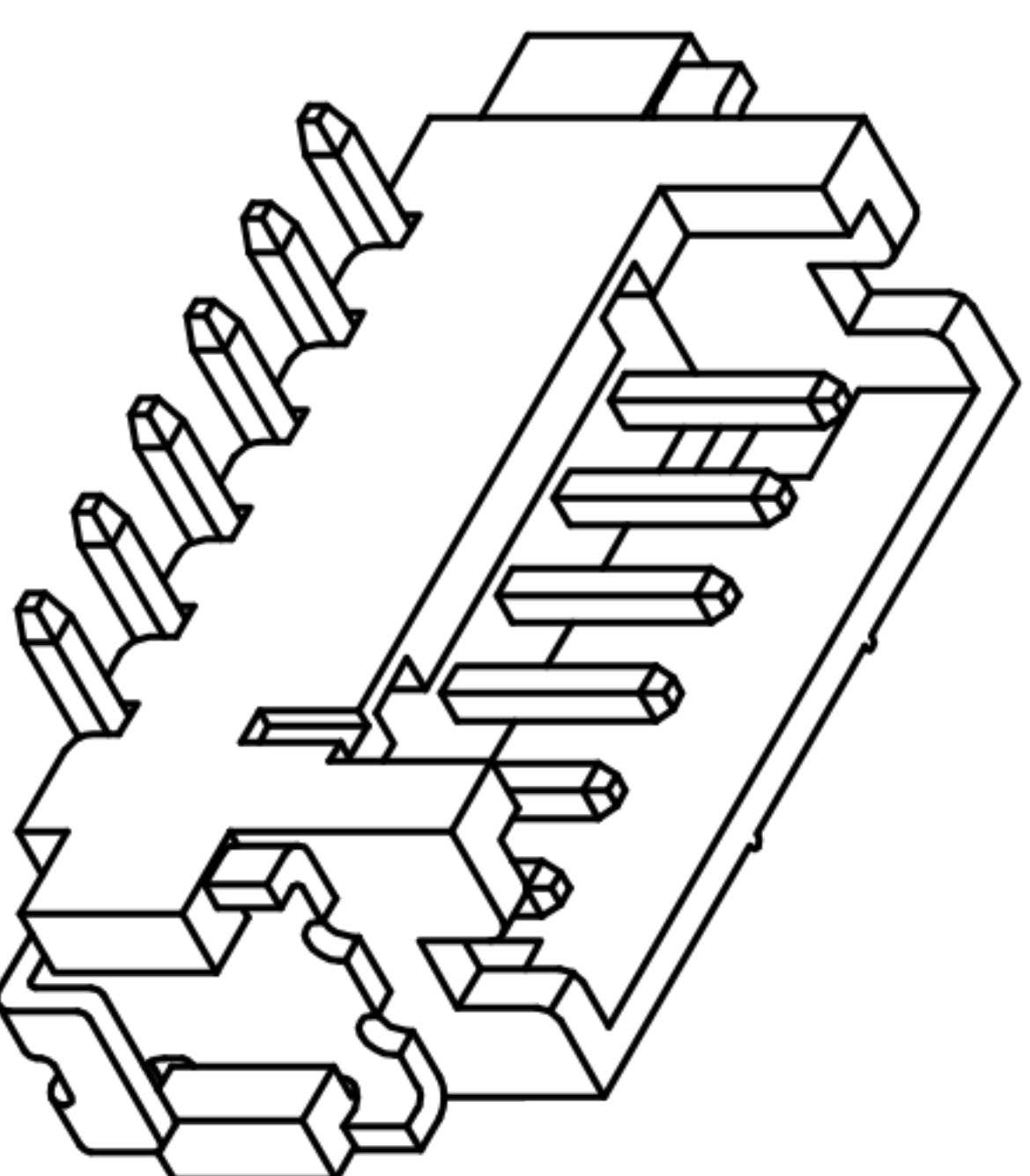


TO MAKE SURE THE CAP CAN BE PUT ON THE MIDPOINT FOR 04P TO 15P.



SPECIFICATIONS
 Current Rating: 1A AC,DC
 Voltage Rating: 150V AC,DC
 Temperature Range: -25°C ~ +85°C
 Contact Resistance: 30mΩ Max.
 Insulation Resistance: 500MΩ Min.
 Withstanding Voltage: 500V AC/minute
 Pin Material: Brass
 Solder Tabs: Phosphor Bronze

Circuit No.	Dimensions				
	A	B	C	D	E
02P	1.25	4.15	6.25	3.15	---
03P	2.50	5.40	7.50	4.40	1.25
04P	3.75	6.65	8.75	5.65	2.50
05P	5.00	7.90	10.00	6.90	3.75
06P	6.25	9.15	11.25	8.15	5.00
07P	7.50	10.40	12.50	9.40	6.25
08P	8.75	11.65	13.75	10.65	7.50
09P	10.00	12.90	15.00	11.90	8.75
10P	11.25	14.15	16.25	13.15	10.00
11P	12.50	15.40	17.50	14.40	11.25
12P	13.75	16.65	18.75	15.65	12.50
13P	15.00	17.90	20.00	16.90	13.75
14P	16.25	19.15	21.25	18.15	15.00
15P	17.50	20.40	22.50	19.40	16.25

ECN. NO.	REV.	DATE.	DESCRIPTION.
	A		NEW

APPROVALS		DATE	 深圳市联丰电子有限公司 SHENZHEN LIANFENG ELECTRONIC CO.,LTD
DRAWN	ZHIWEI.CHEN	2015.07.07	
CHECKED			TITLE:
APPROVALS			PART NO.
TOLERANCES ARE			UNIT: mm
30~以上	±0.30	ANGLE	SCALE: 1:1
10~30	±0.20		PROJ.
5~10	±0.15	±2°	DRAWING NO.
~ 5	±0.10		SHEET 1 OF 1