

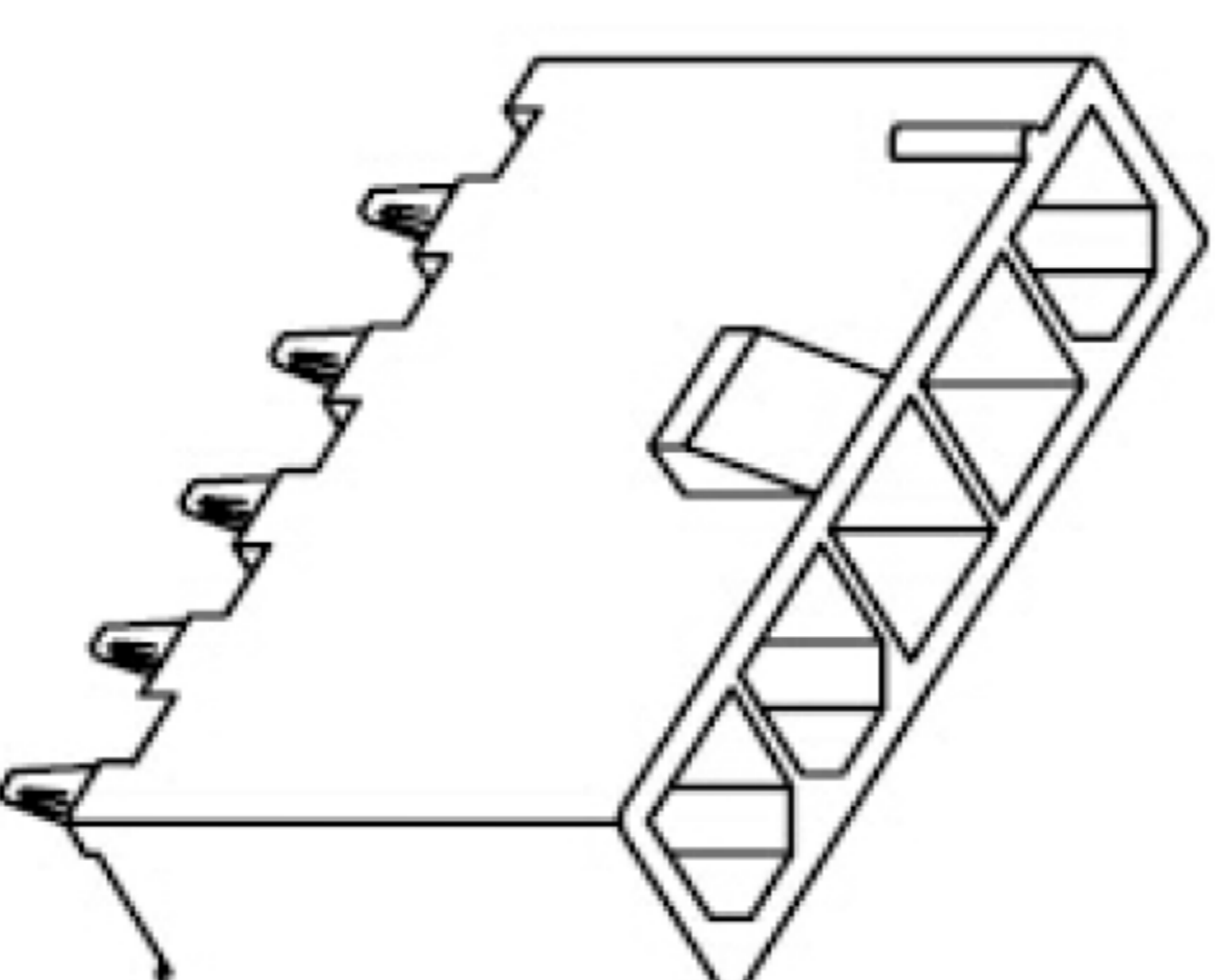
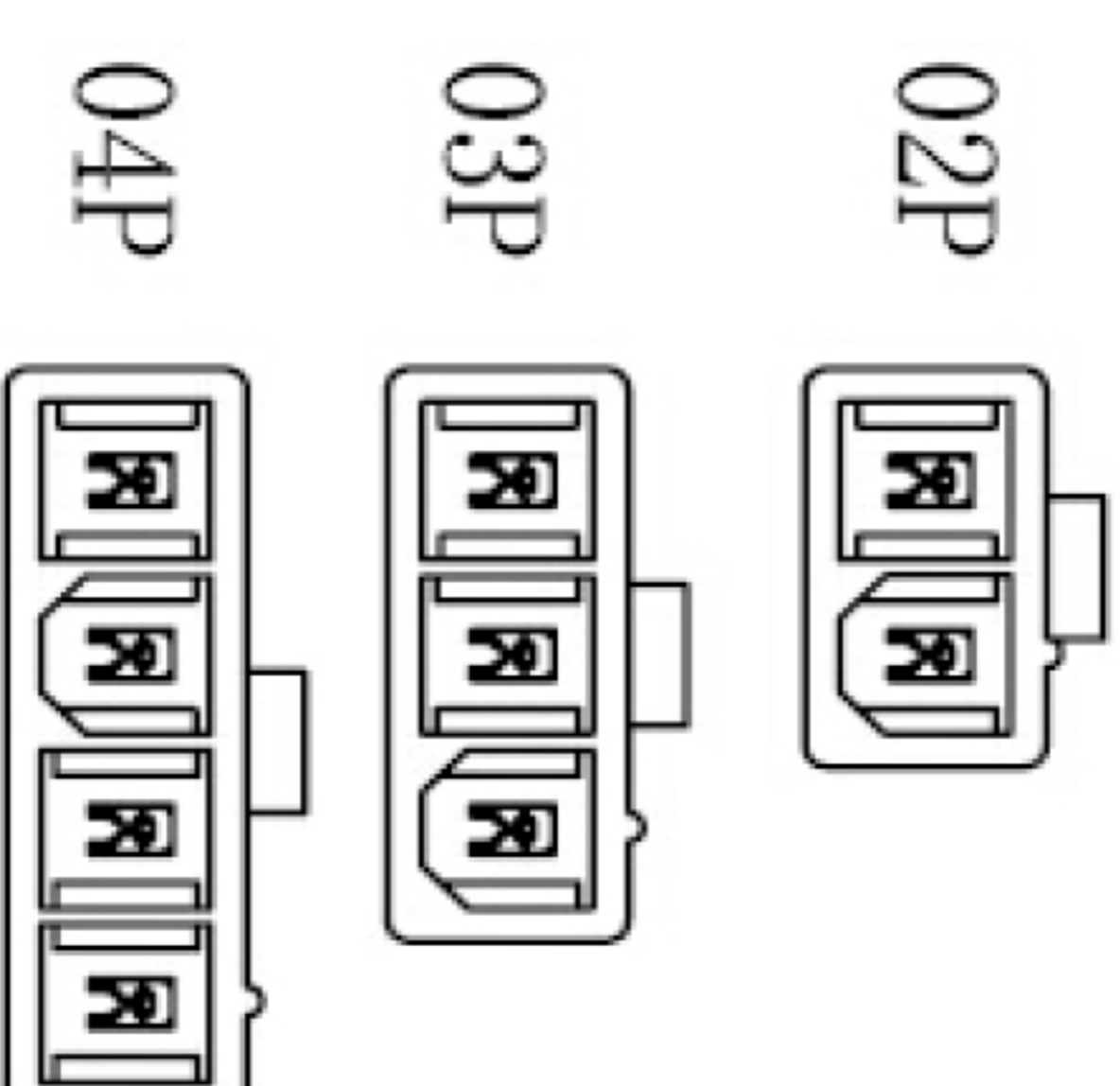
P. C. B LAYOUT

■ SPECIFICATIONS

- Voltage rating: 600V AC, DC
- Current rating: 7A, AC, DC
- Withstanding Voltage: 1500V AC/minute
- Insulation resistance: 1000MΩ min
- Temperature range: -25° C~+85° C
- Contact resistance: 20mΩ max

■ WAFER

- Part No. : W4202VT-1xNP-XXXX
- Poles : 02-06P
- Housing Material: Nylon66 UL94V-2 or UL94V-0
- Pin Material: Brass
- Contact Area Plating: Tin-Plated or Gold-Flash
- Mates With: H4201 Single row receptacle
- The Dimension Marked “▼” Must Be Recorded



PART NO.	Dimensions (mm)	
	A	B
02	4.20	9.60
03	8.40	13.80
04	12.60	18.00
05	16.80	22.20
06	21.00	26.40

CIRCUIT SIZE LAYOUT

APPROVALS		DATE	TITLE:	
DRAWN	ZHIWEI.CHEN	2015.07.07	PART NO. GP01-4255WV-XP-K	
CHECKED			SCALE: 1:1	
APPROVALS			PROJ:	
TOLERANCES ARE		30~ ^{±0.30} 以上	±0.30	ANGLE
		10~30	±0.20	UNIT: mm
		5~10	±0.15	DRAWING NO.
		~ 5	±0.10	SHEET 1 OF 1
ECN NO.	REV.	DATE.	DESCRIPTION.	CHANGE.
	A		NEW	