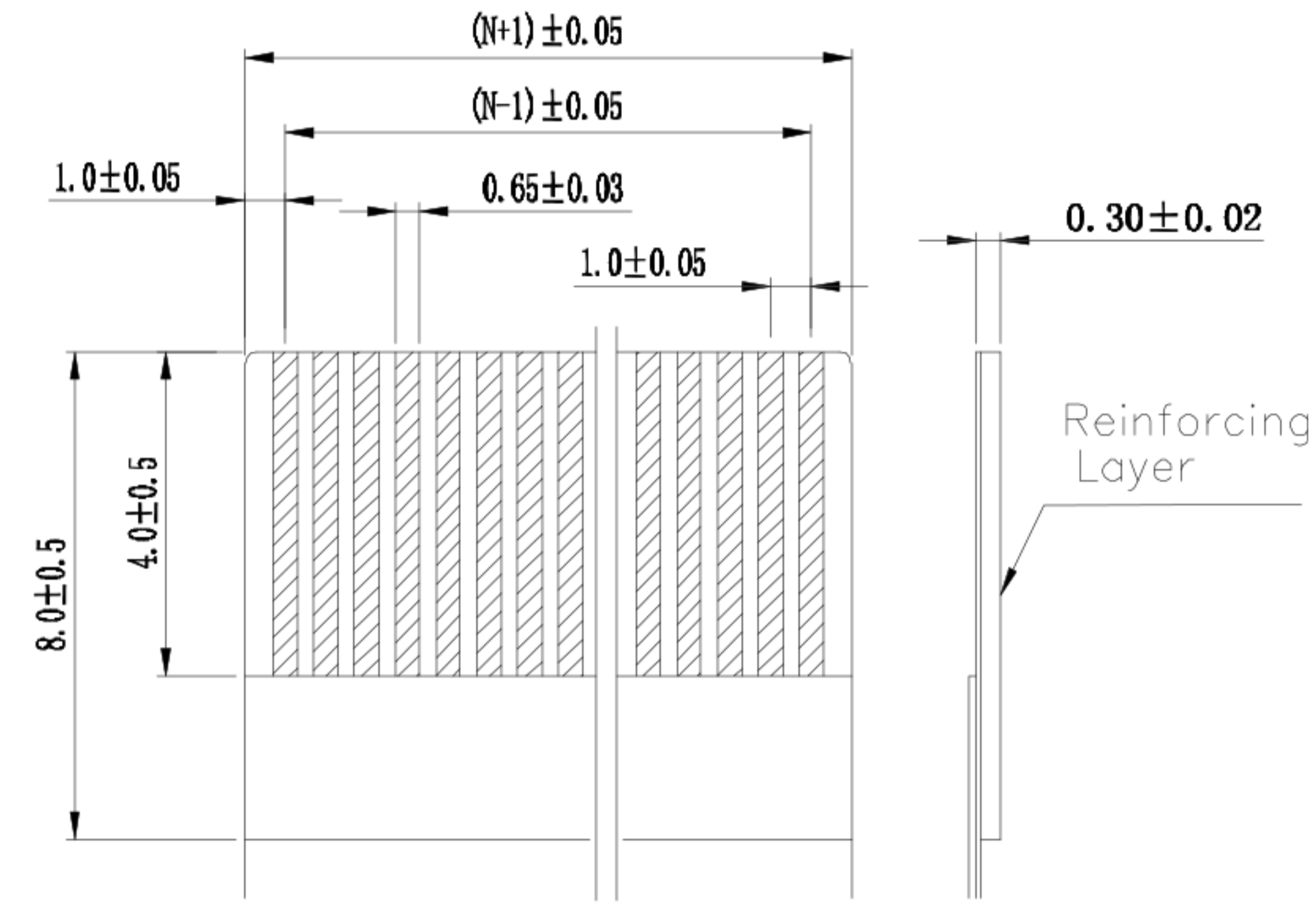
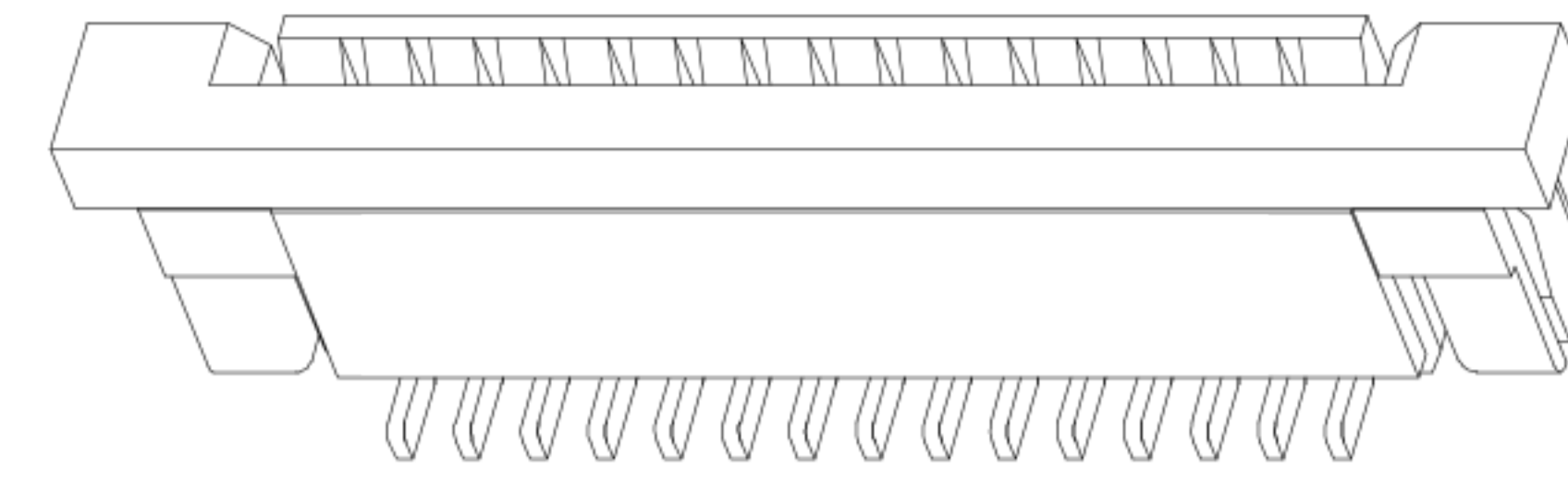
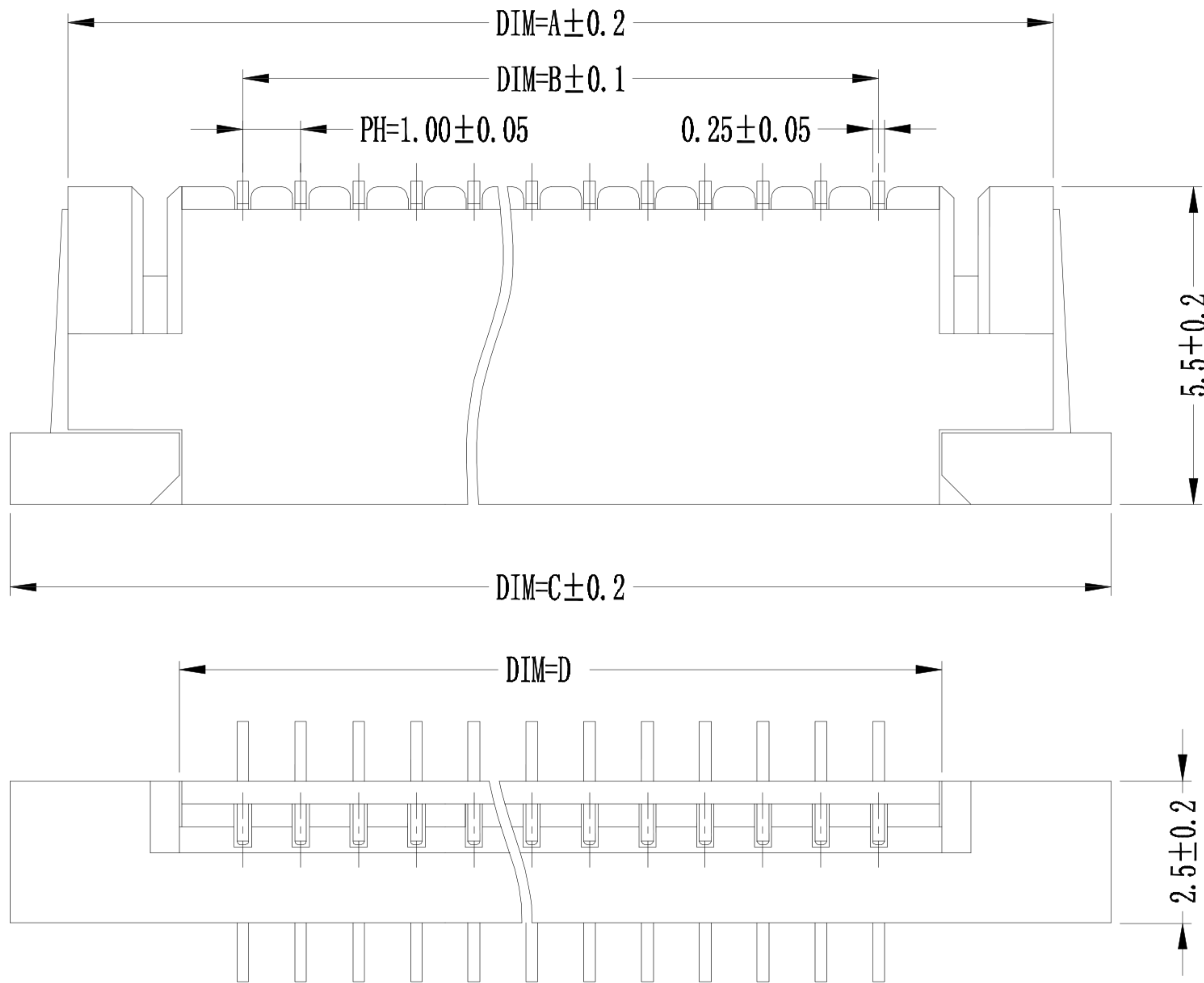
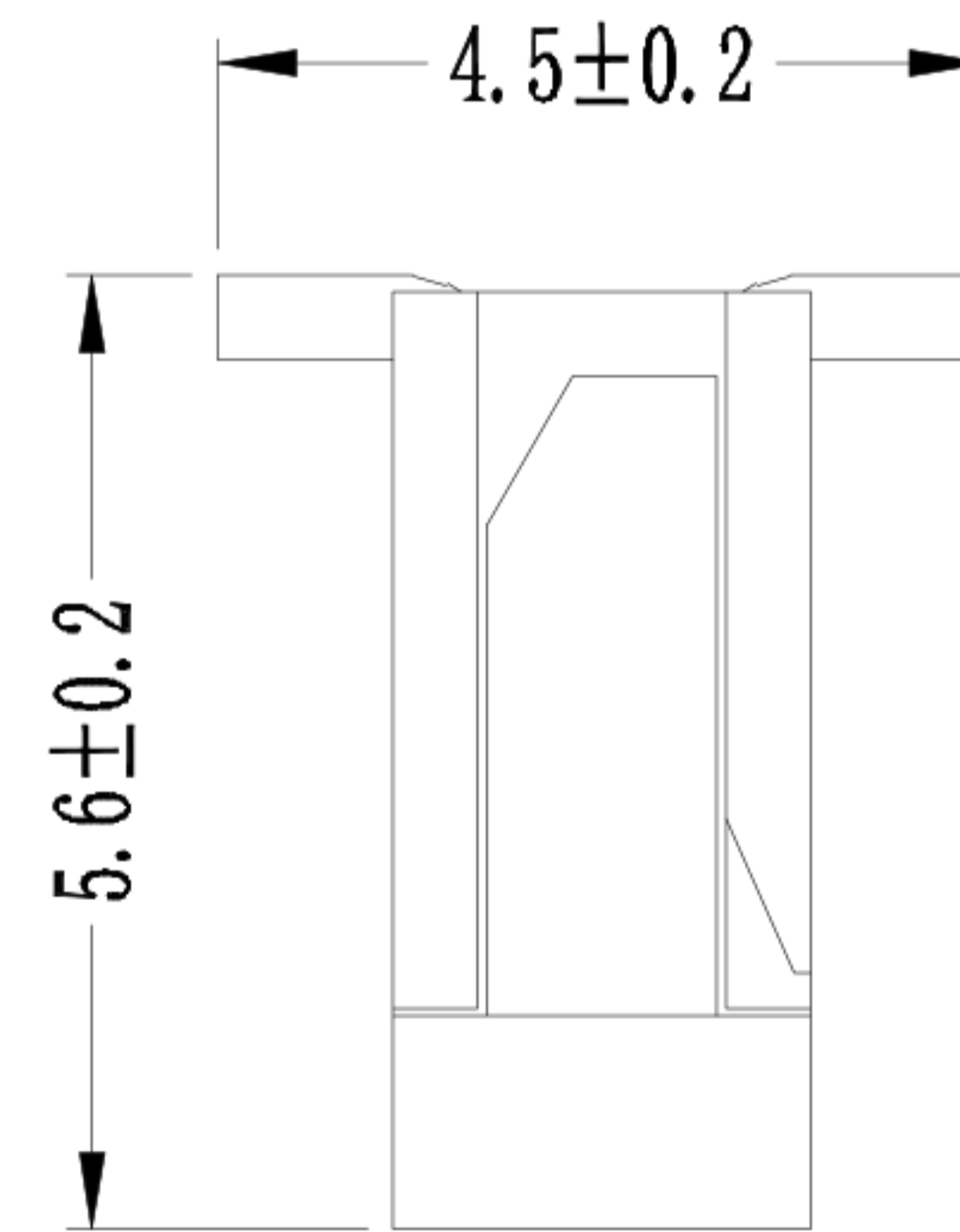


PCB Layout



RECOMMENDED FFC/FPC DIM.



Material Description:

Contact: Phosphor Bronze Tin-plated



Housing: HEIGHT TEMP. PLASTIC(UL94V-0)

Slider: HEIGHT TEMP. PLASTIC(UL94V-0)

NOTES:

PLASTIC BURRS 0.1mm MAX

CKT	DMI A	DMI B	DMI C	DMI D
4	9.00	3.00	11.00	5.10
5	10.00	4.00	12.00	6.10
6	11.00	5.00	13.00	7.10
7	12.00	6.00	14.00	8.10
8	13.00	7.00	15.00	9.10
9	14.00	8.00	16.00	10.10
10	15.00	9.00	17.00	11.10
11	16.00	10.00	18.00	12.10
12	17.00	11.00	19.00	13.10
13	18.00	12.00	20.00	14.10
14	19.00	13.00	21.00	15.10
15	20.00	14.00	22.00	16.10
16	21.00	15.00	23.00	17.10
17	22.00	16.00	24.00	18.10
18	23.00	17.00	25.00	19.10
20	25.00	19.00	27.00	21.10
22	27.00	21.00	29.00	23.10
24	29.00	23.00	31.00	25.10
25	30.00	24.00	32.00	26.10
26	31.00	25.00	33.00	27.10
27	32.00	26.00	34.00	28.10
28	33.00	27.00	35.00	29.10
30	35.00	29.00	37.00	31.10
32	37.00	31.00	39.00	33.10
34	39.00	33.00	41.00	35.10
35	40.00	34.00	42.00	36.10
36	41.00	35.00	43.00	37.10
40	45.00	39.00	47.00	41.10

APPROVALS		DATE	 深圳市联丰盈电子有限公司 SHENZHEN LINFENGYING ELECTRONIC CO.,LTD	
DRAWN	ZHIWEL.CHEN	2015.07.07		
CHECKED			PART NO.	GP10-LSLN-NP-G-N01
APPROVALS			UNIT: mm	SCALE: 1:1
TOLERANCES ARE	30~以上	±0.30	ANGLE	PROJ: 
	10~30	±0.20		
	5~10	±0.15	DRAWING NO.	
	~ 5	±0.10		SHEET 1 OF 1

ECN NO.	REV.	DATE.	DESCRIPTION.	CHANGE.	CHECK.	APPRO.
	A		NEW			