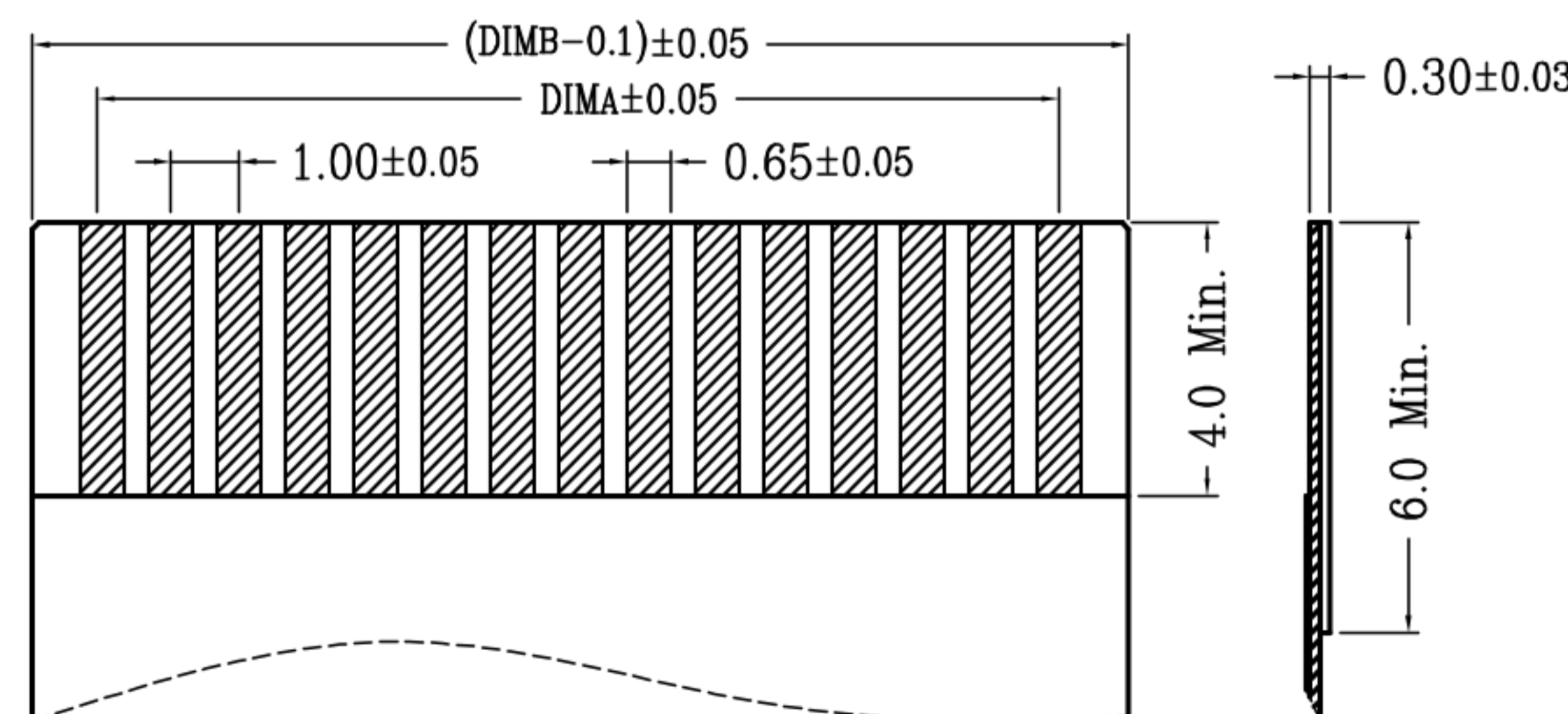
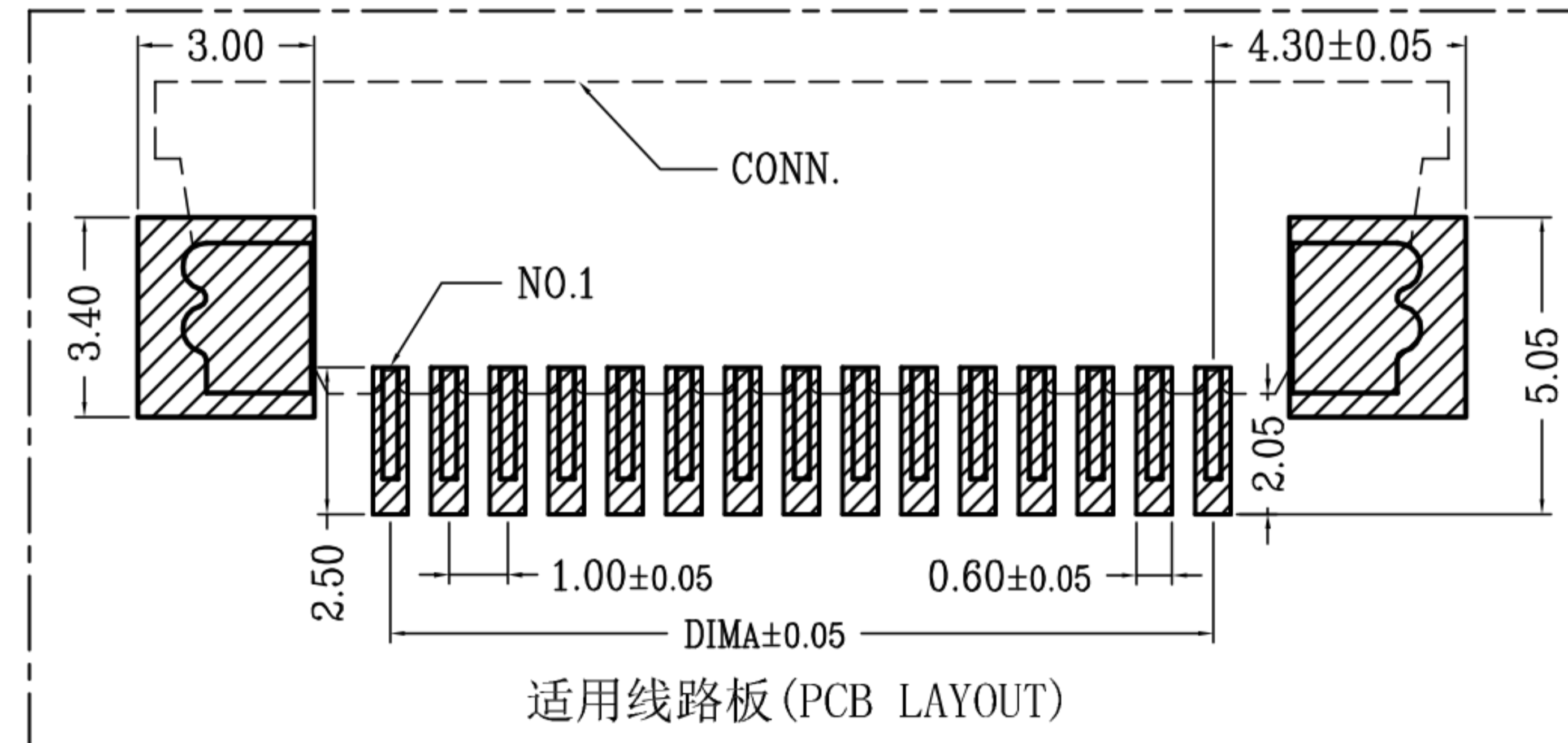
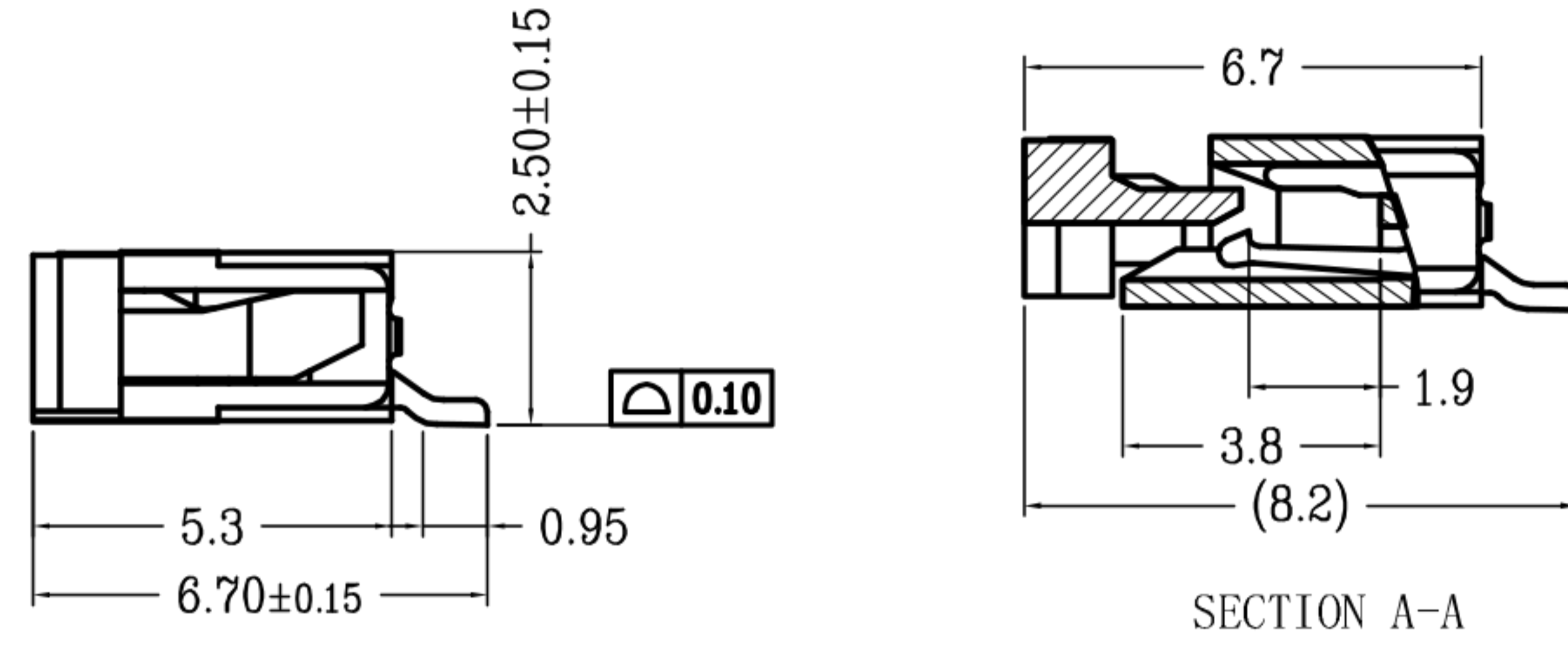
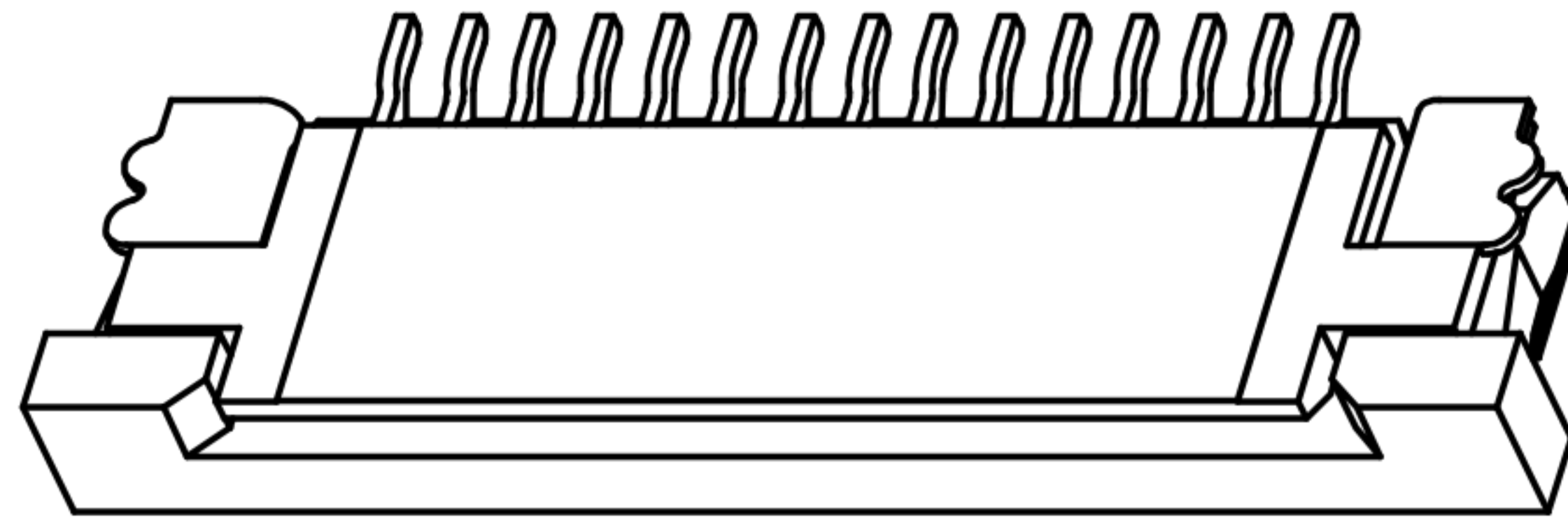
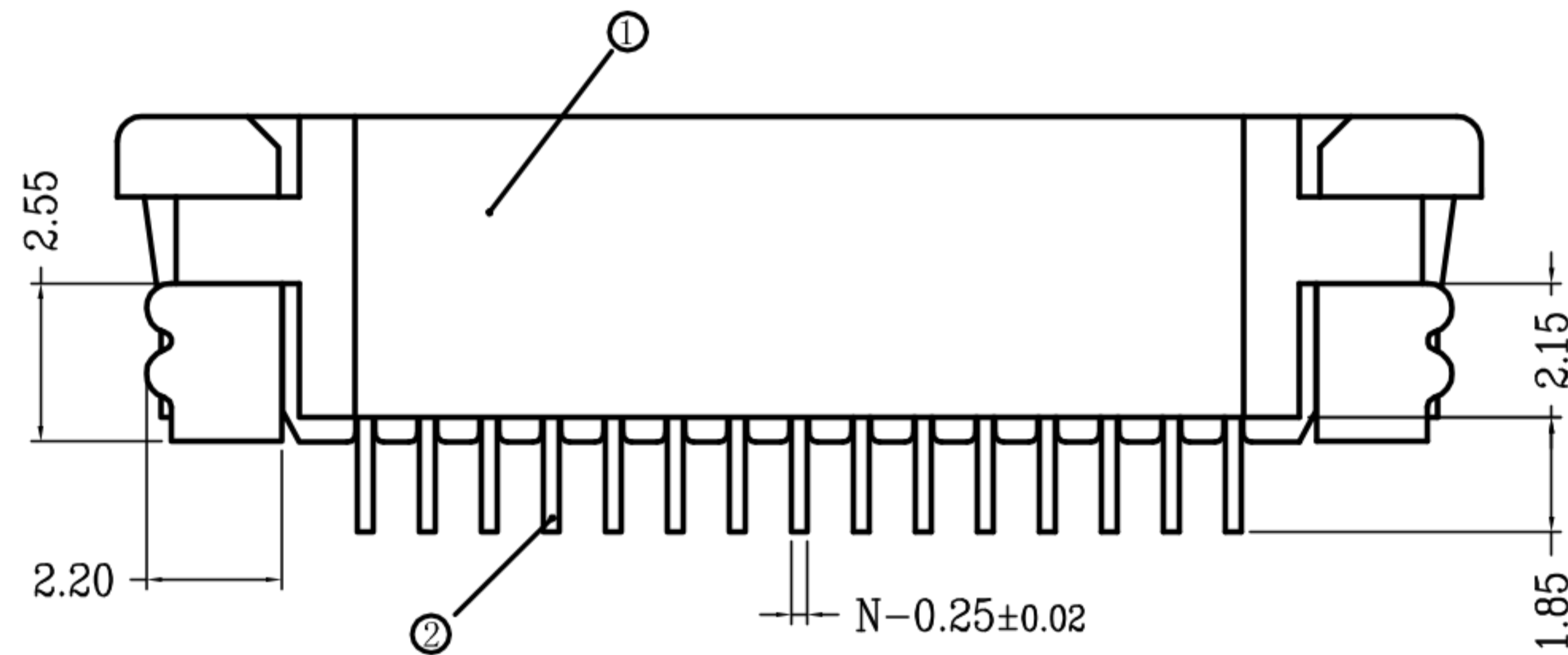
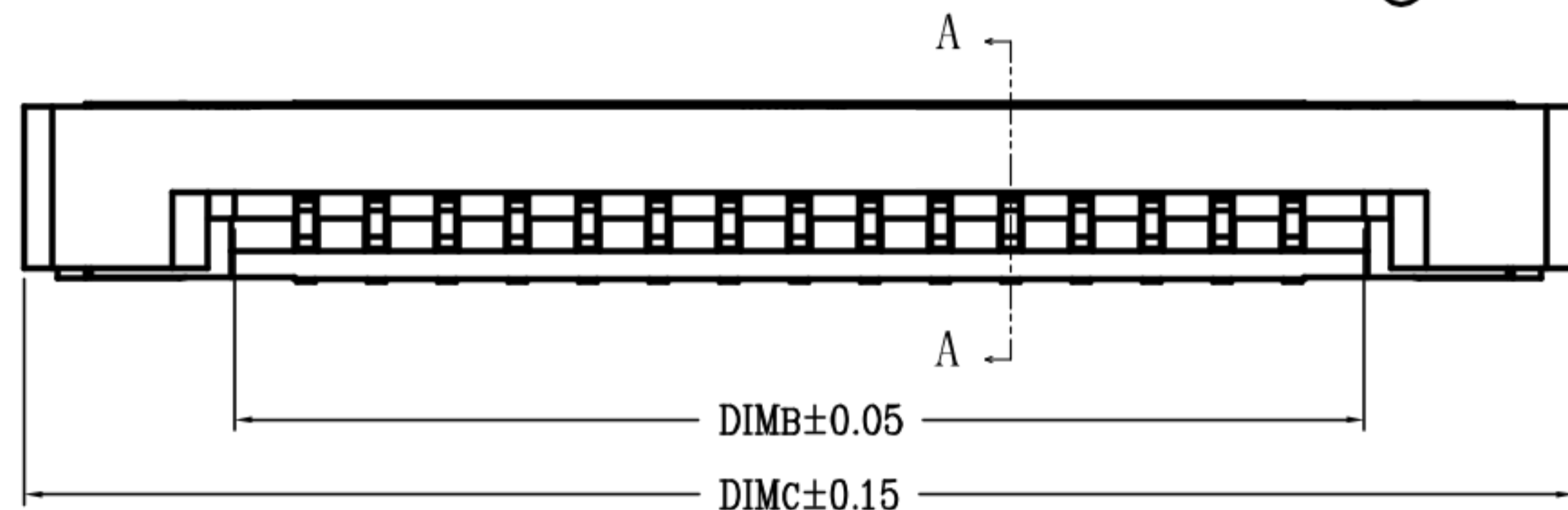
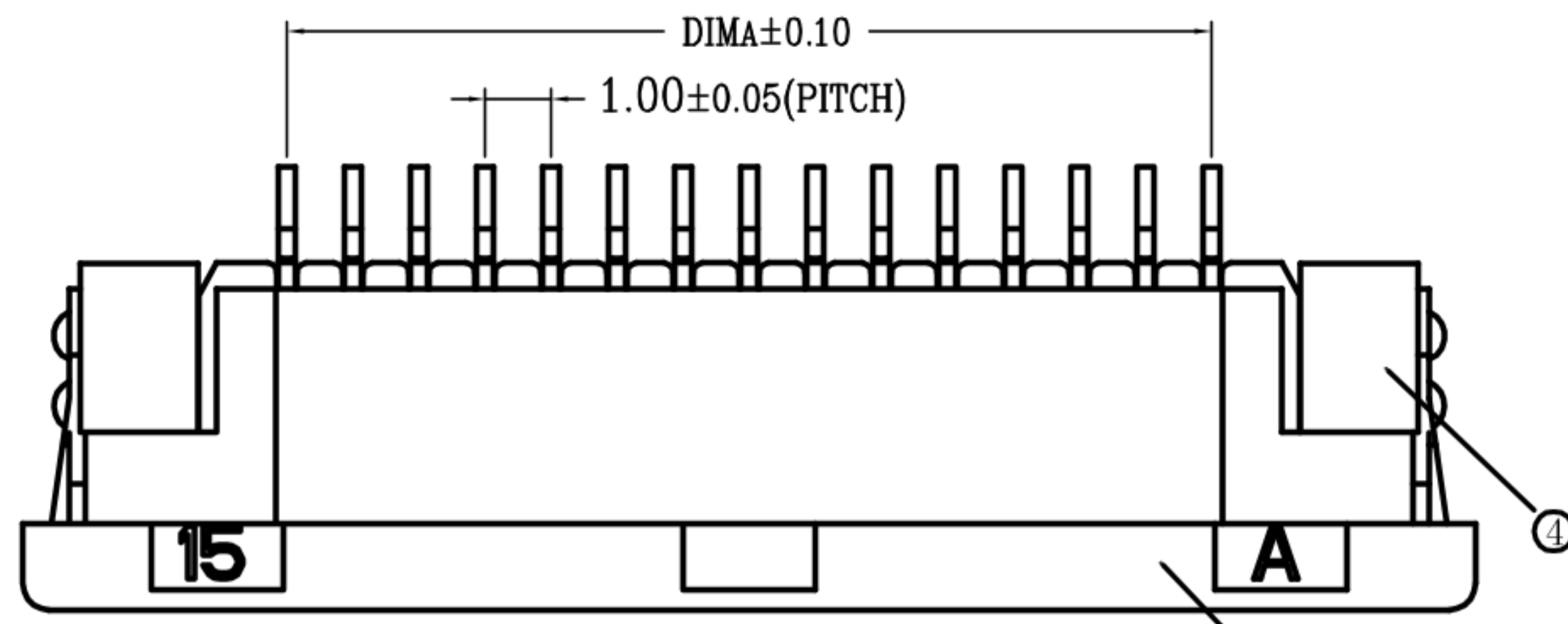


技术指标 (Technical Index):

1. 塑件表面应光洁、无毛边、无明显收缩、缺陷、裂纹等现象。
(The surface of the plastic parts should be smooth, no rough edges, no obvious shrinkage, defects, cracks and other phenomena.)
2. 温度范围 (Temperature range): $-25^{\circ}\text{C} \sim +85^{\circ}\text{C}$.
3. 额定电压 (Rated voltage): 50V, AC/DC (=等效).
4. 接触电阻 (Contact resistance): $\leq 0.03\Omega$.
5. 绝缘电阻 (Insulation resistance): $\geq 500\text{M}\Omega$.



CKT	DMI A	DMI B	DMI C
4	3.00	5.03	11.10
5	4.00	6.03	12.10
6	5.00	7.03	13.10
7	6.00	8.03	14.10
8	7.00	9.03	15.10
9	8.00	10.03	16.10
10	9.00	11.03	17.10
11	10.00	12.03	18.10
12	11.00	13.03	19.10
13	12.00	14.03	20.10
14	13.00	15.03	21.10
15	14.00	16.03	22.10
16	15.00	17.03	23.10
17	16.00	18.03	24.10
18	17.00	19.03	25.10
19	18.00	20.03	26.10
20	19.00	21.03	27.10
21	20.00	22.03	28.10
22	21.00	23.03	29.10
23	22.00	24.03	30.10
24	23.00	25.03	31.10
25	24.00	26.03	32.10
26	25.00	27.03	33.10
27	26.00	28.03	34.10
28	27.00	29.03	35.10
29	28.00	30.03	36.10
30	29.00	31.03	37.10
31	30.00	32.03	38.10
32	31.00	33.03	39.10
33	32.00	34.03	40.10
34	33.00	35.03	41.10
35	34.00	36.03	42.10
36	35.00	37.03	43.10
37	36.00	38.03	44.10
38	37.00	39.03	45.10
39	38.00	40.03	46.10
40	39.00	41.03	47.10

序号	品名	材质
①	1.0胶芯 (H2.5)	LCP UL94V-0 本色 Natural
②	1.0下接端子 (H2.5)	铜合金/表面镀锡 Copper Alloy/ Tin Plating
③	1.0卧式后盖 (H2.5)	LCP UL94V-0 黑色 Black
④	1.0卧式焊片 (H2.5)	铜合金/表面镀锡 Copper Alloy/ Tin Plating

APPROVALS		DATE	深圳市联丰盈电子有限公司 SHENZHEN LINFENYING ELECTRONIC CO.,LTD	
DRAWN	ZHIWEL.CHEN	2015.07.07	TITLE:	1.0 Pitch 卧式下接 (H=2.5)
CHECKED			PART NO.	GP10-WSLN-XXP-D-X01
APPROVALS			UNIT: mm	SCALE: 1:1
TOLERANCES ARE		30~以上 ±0.30 10~30 ±0.20 5~10 ±0.15 ~ 5 ±0.10	ANGLE	±2°
ECN NO.	REV.	DATE.	DRAWING NO.	SHEET 1 OF 1

NEW	CHANGE.	CHECK.	APPRO.
DESCRIPTION.			