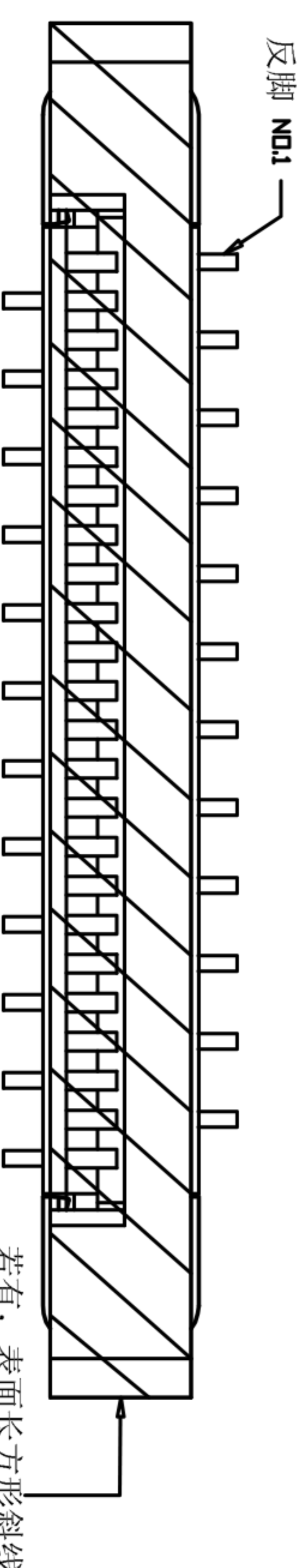
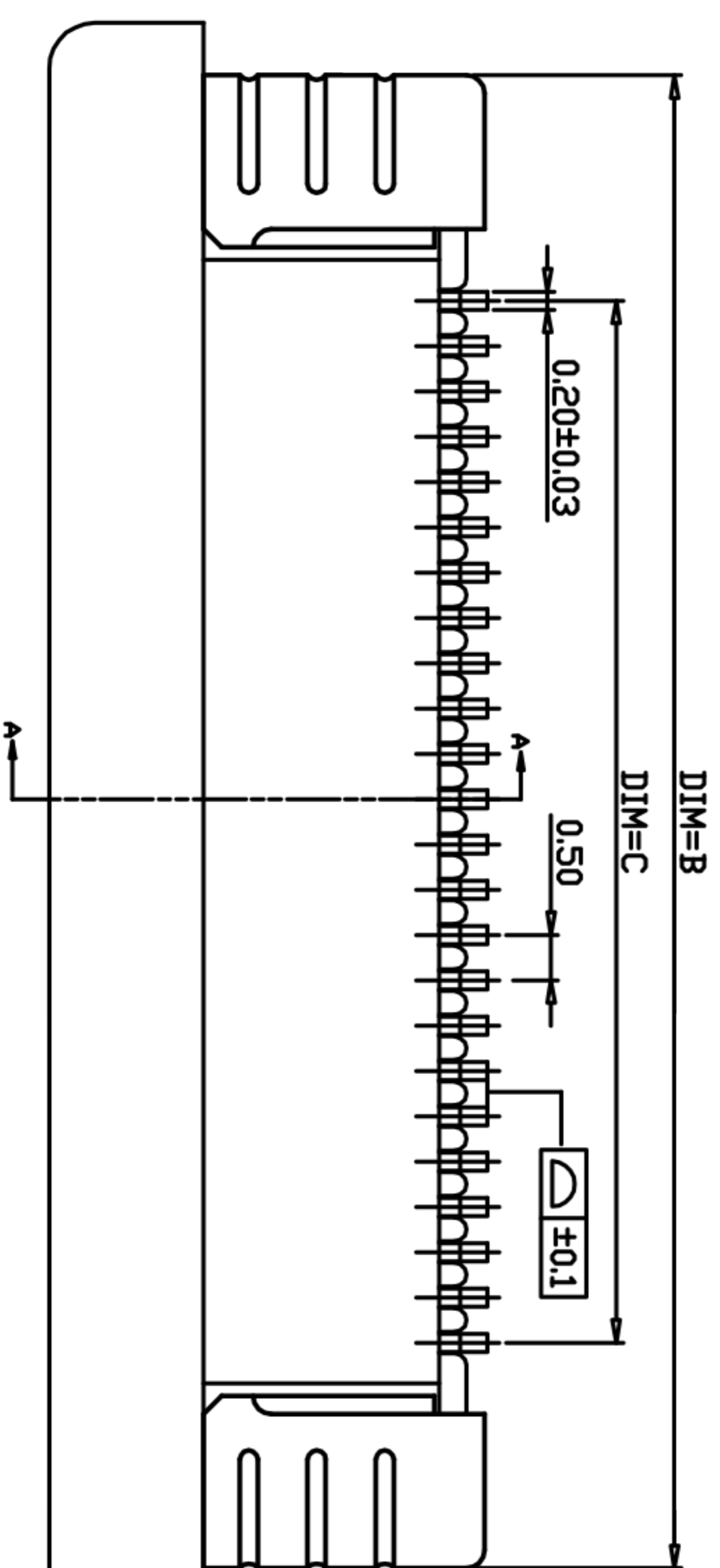
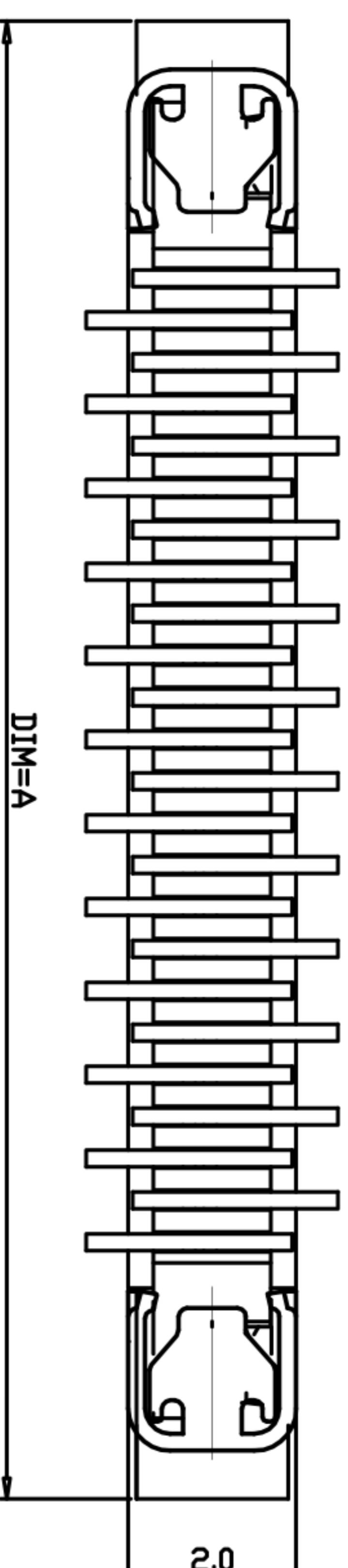
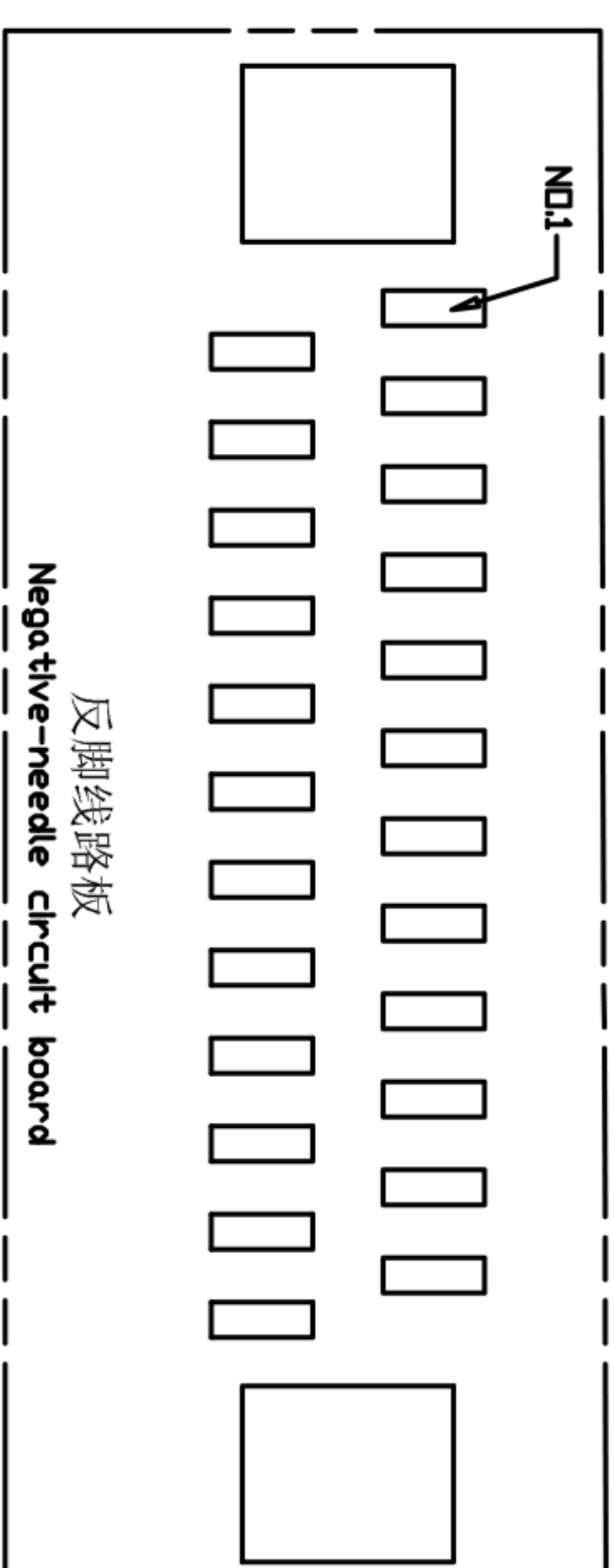
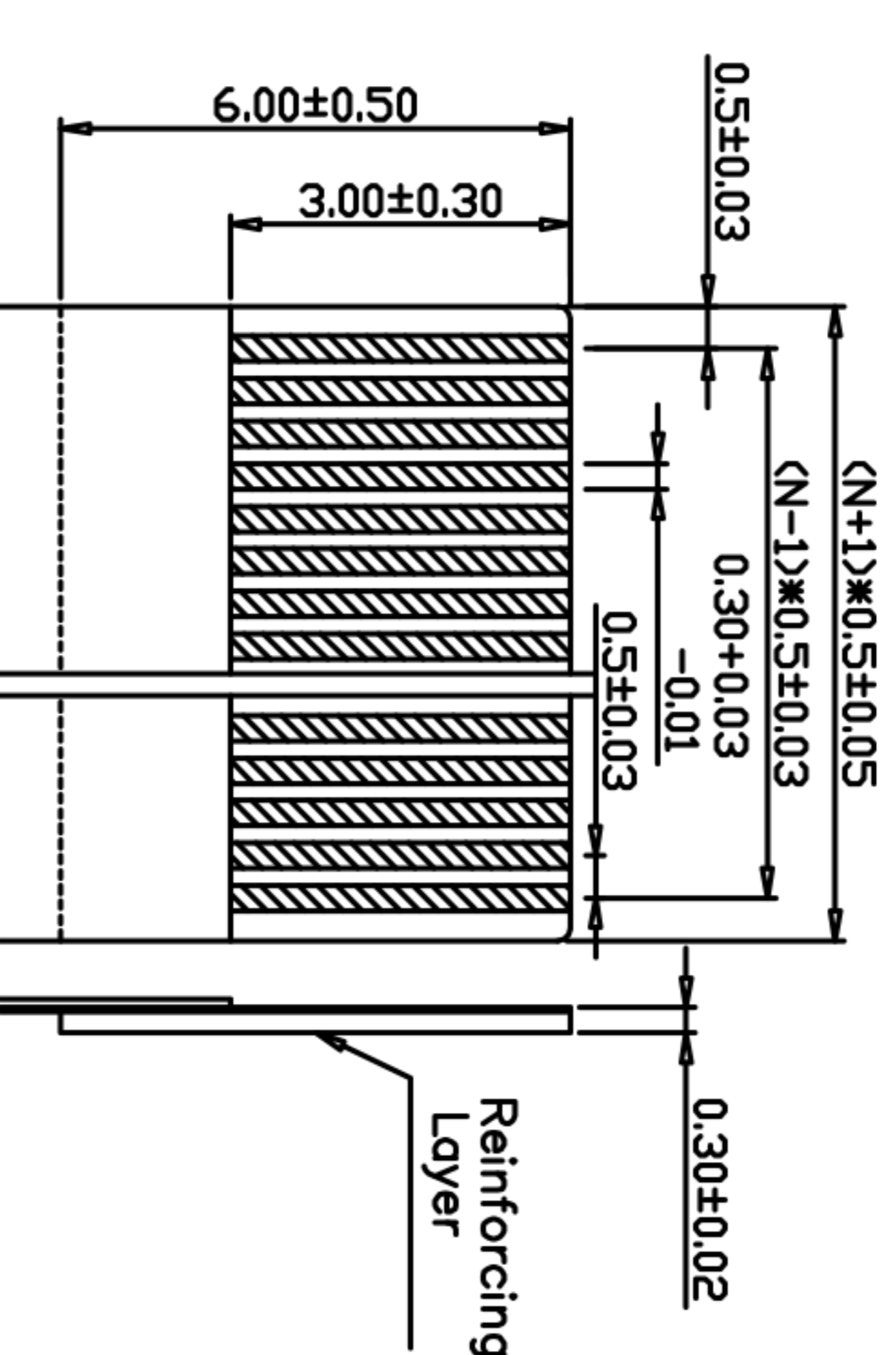


PIN数	DIM=A	DIM=B	DIM=C	DIM=D	DIM=E	开脚PIN
67P	39.1	38.0	33.00	34.10		V
60P	35.6	34.5	29.50	30.60		V
59P	35.1	34.0	29.00	30.10		
58P	34.6	33.5	28.50	29.60		
57P	34.1	33.0	28.00	29.10		V
56P	33.6	32.5	27.50	28.60		
55P	33.1	32.0	27.00	28.10		V
54P	32.6	31.5	26.50	27.60		V
53P	32.1	31.0	26.00	27.10		V
52P	31.6	30.5	25.50	26.60		V
51P	31.1	30.0	25.00	26.10		V
50P	30.6	29.5	24.50	25.60		V
49P	30.1	29.0	24.00	25.10	4.9	V
48P	29.6	28.5	23.50	24.60		V
47P	29.1	28.0	23.00	24.10		V
46P	28.6	27.5	22.50	23.60		V
45P	28.1	27.0	22.00	23.10		V
44P	27.6	26.5	21.50	22.60		V
43P	27.1	26.0	21.00	22.10		V
42P	26.6	25.5	20.50	21.60		V
41P	26.1	25.0	20.00	21.10		V
40P	25.6	24.5	19.50	20.60		V
39P	25.1	24.0	19.00	20.10		V
38P	24.6	23.5	18.50	19.60		V
37P	24.1	23.0	18.00	19.10		V
36P	23.6	22.5	17.50	18.60		V
35P	23.1	22.0	17.00	18.10		V
34P	22.6	21.5	16.50	17.60		V
33P	22.1	21.0	16.00	17.10		V
32P	21.6	20.5	15.50	16.60		V
31P	21.1	20.0	15.00	16.10		V
30P	20.6	19.5	14.50	15.60		V
29P	20.1	19.0	14.00	15.10		V
28P	19.6	18.5	13.50	14.60		V
27P	19.1	18.0	13.00	14.10		V
26P	18.6	17.5	12.50	13.60		V
25P	18.1	17.0	12.00	13.10		V
24P	17.6	16.5	11.50	12.60		V
23P	17.1	16.0	11.00	12.10		V
22P	16.6	15.5	10.50	11.60		V
21P	16.1	15.0	10.00	11.10		V
20P	15.6	14.5	9.50	10.60	4.4	V
19P	15.1	14.0	9.00	10.10		V
18P	14.6	13.5	8.50	9.60		V
17P	14.1	13.0	8.00	9.10		V
16P	13.6	12.5	7.50	8.60		V
15P	13.1	12.0	7.00	8.10		V
14P	12.6	11.5	6.50	7.60		V
13P	12.1	11.0	6.00	7.10		V
12P	11.6	10.5	5.50	6.60		V
11P	11.1	10.0	5.00	6.10		V
10P	10.6	9.5	4.50	5.60		V
9P	10.1	9.0	4.00	5.10		V
8P	9.6	8.5	3.50	4.60		V
7P	9.1	8.0	3.00	4.10		V
6P	8.6	7.5	2.50	3.60		V
5P	8.1	7.0	2.00	3.10		V
4P	7.6	6.5	1.50	2.60		V

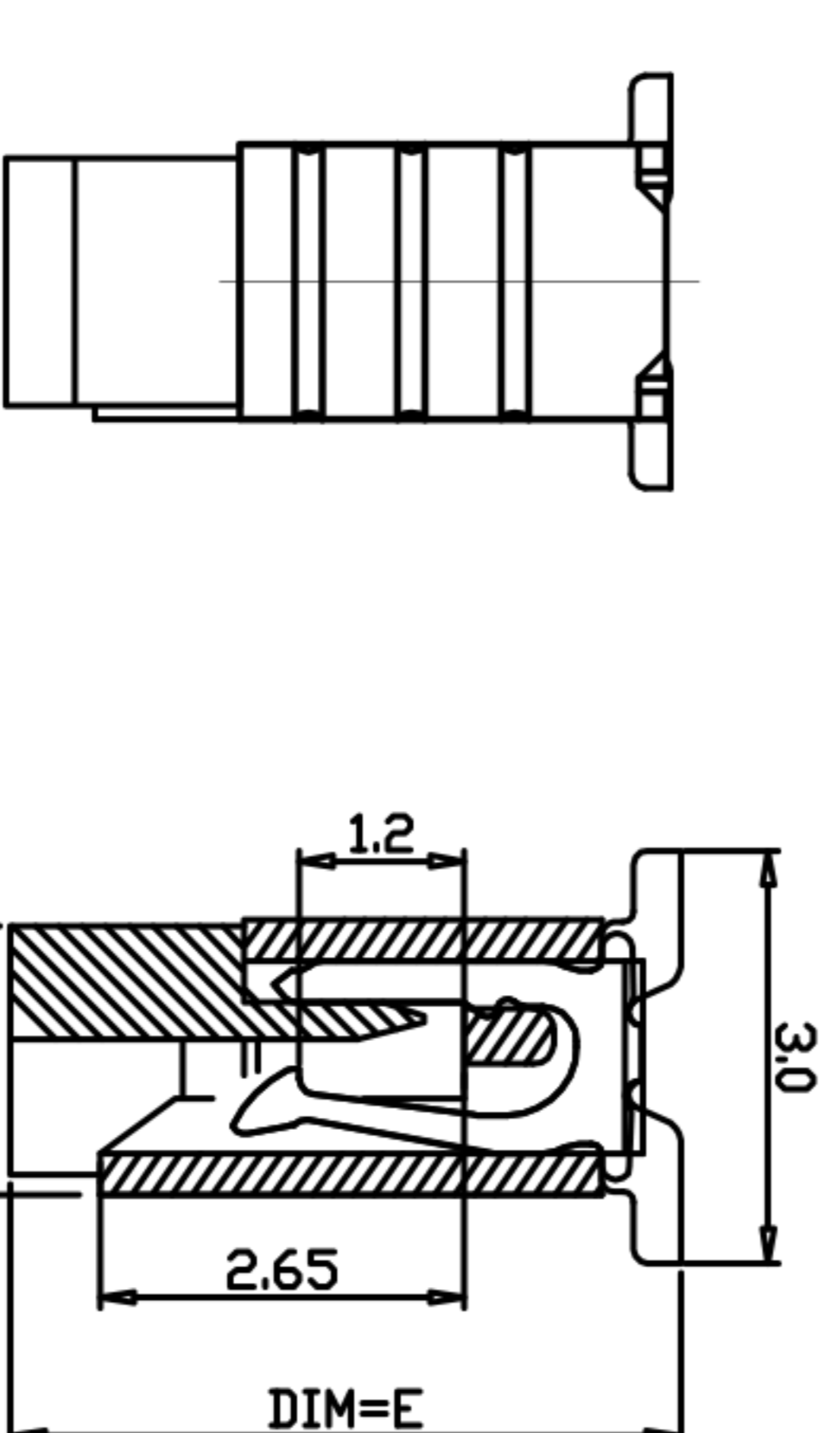


Material Description:
 Terminal: Phosphor Bronze Tin-Leadplated
 Fitting Nail: Brass Tin-plated
 Housing: Thermoplastic(UL94V-0)
 Slider: Thermoplastic(UL94V-0)

NOTES:
 PLASTIC BURRS 0.1mm MAX



RECOMMENDED FFC/FPC DIM.



ECN NO.	REV.	DATE.	DESCRIPTION.	NEW	CHANGE.	CHECK.	APPRO.
	A						

APPROVALS		DATE	TITLE:	
DRAWN	ZHIWEI.CHEN	2019.07.07	PART NO. GP05-LSLN-XXP-G-F01	
CHECKED			SCALE: 1:1	
APPROVALS			PROJ:	
TOLERANCES ARE		ANGLE	DRAWING NO.	
30~45L	±0.30	±2°	SHEET 1 OF 1	
10~30	±0.20			
5~10	±0.15			
~5	±0.10			

深圳市联丰电子有限公司
 SHENZHEN LINFENG ELECTRONIC CO.,LTD