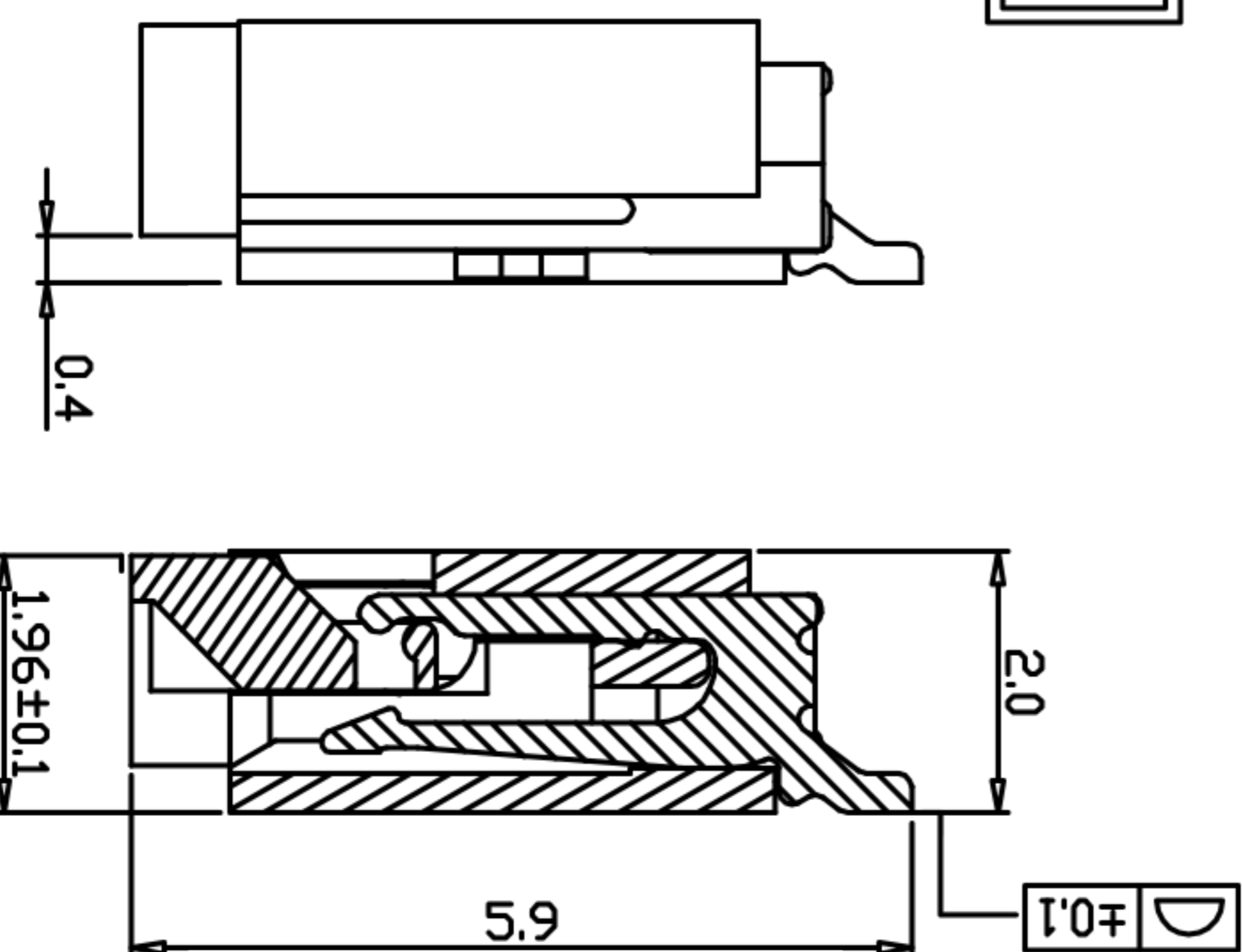
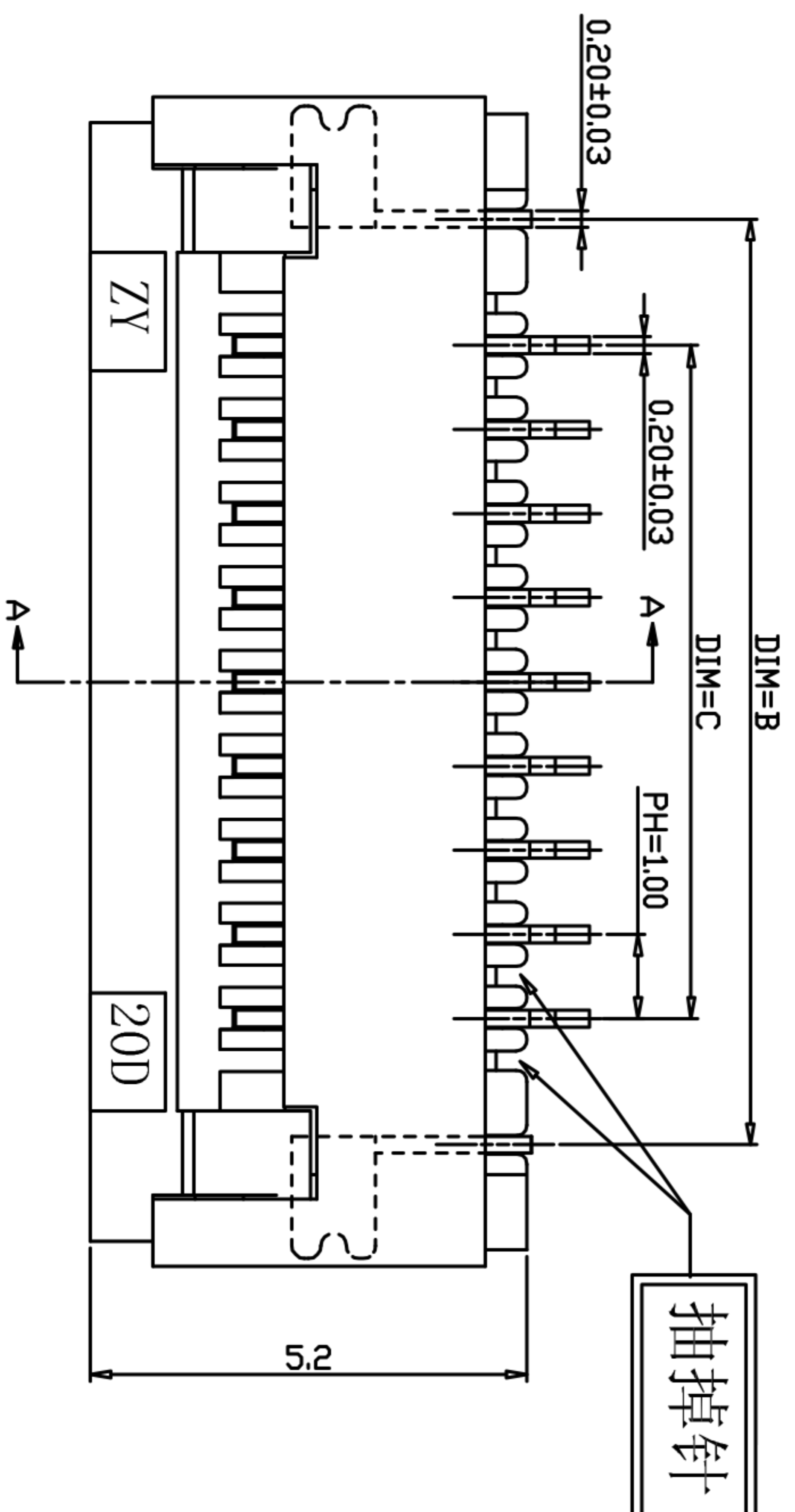
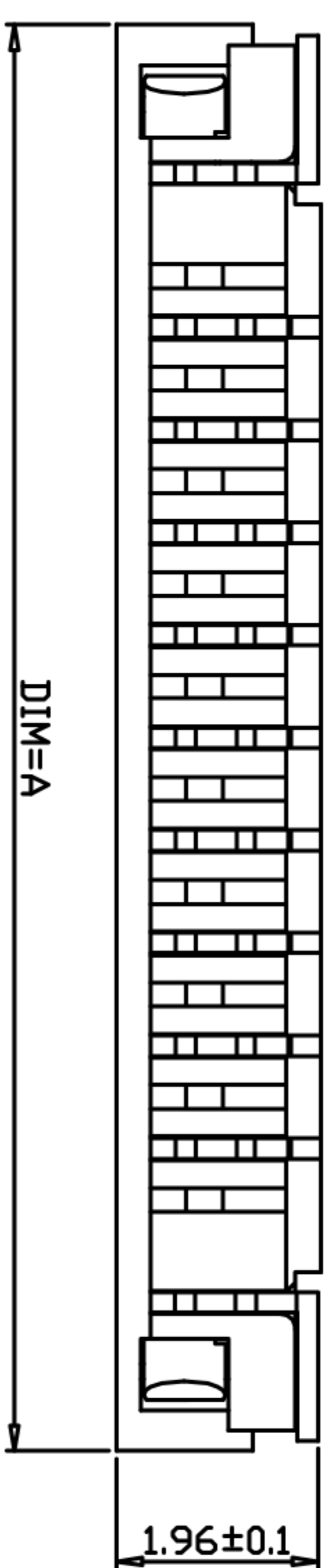


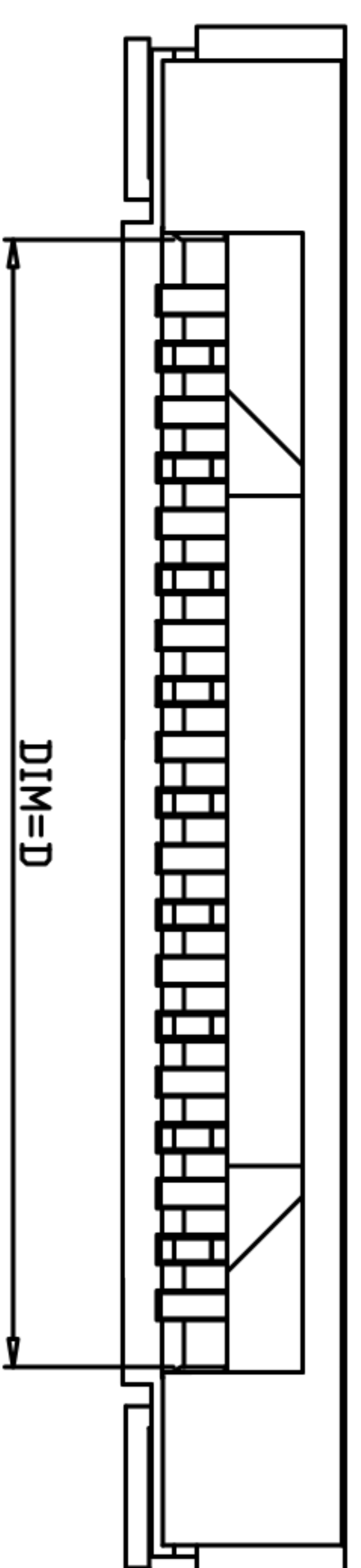
PCB Layout

**Electrical Characteristics:**  
 Current rating: 0.5A AC/DC  
 Voltage rating: 50V AC/DC  
 Temperature range: -25°C~+85°C  
 Withstand Voltage: 500V AC/Minute  
 Contact Resistance: ≤ 20mΩ  
 Insulation resistance: ≥ 800mΩ  
 Relative Humidity: 93%+40°C

**Material Description:**  
 Contact: Phosphor Bronze Tin-Leadplated  
 Solder Tab: Phosphor Bronze Tin-plated  
 Housing: Thermoplastic(UL94V-0)  
 Slider: Thermoplastic(UL94V-0)



SECTION A-A



| PIN数 | DIM=A | DIM=B | DIM=C | DIM=D |
|------|-------|-------|-------|-------|
| 30P  | 34.9  | 32.00 | 29.00 | 31.10 |
| 29P  | 33.9  | 31.00 | 28.00 | 30.10 |
| 28P  | 32.9  | 30.00 | 27.00 | 29.10 |
| 27P  | 31.9  | 29.00 | 26.00 | 28.10 |
| 26P  | 30.9  | 28.00 | 25.00 | 27.10 |
| 25P  | 29.9  | 27.00 | 24.00 | 26.10 |
| 24P  | 28.9  | 26.00 | 23.00 | 25.10 |
| 23P  | 27.9  | 25.00 | 22.00 | 24.10 |
| 22P  | 26.9  | 24.00 | 21.00 | 23.10 |
| 21P  | 25.9  | 23.00 | 20.00 | 22.10 |
| 20P  | 24.9  | 22.00 | 19.00 | 21.10 |
| 19P  | 23.9  | 21.00 | 18.00 | 20.10 |
| 18P  | 22.9  | 20.00 | 17.00 | 19.10 |
| 17P  | 21.9  | 19.00 | 16.00 | 18.10 |
| 16P  | 20.9  | 18.00 | 15.00 | 17.10 |
| 15P  | 19.9  | 17.00 | 14.00 | 16.10 |
| 14P  | 18.9  | 16.00 | 13.00 | 15.10 |
| 13P  | 17.9  | 15.00 | 12.00 | 14.10 |
| 12P  | 16.9  | 14.00 | 11.00 | 13.10 |
| 11P  | 15.9  | 13.00 | 10.00 | 12.10 |
| 10P  | 14.9  | 12.00 | 9.00  | 11.10 |
| 9P   | 13.9  | 11.00 | 8.00  | 10.10 |
| 8P   | 12.9  | 10.00 | 7.00  | 9.10  |
| 7P   | 11.9  | 9.00  | 6.00  | 8.10  |
| 6P   | 10.9  | 8.00  | 5.00  | 7.10  |
| 5P   | 9.9   | 7.00  | 4.00  | 6.10  |
| 4P   | 8.9   | 6.00  | 3.00  | 5.10  |
| 3P   | 7.9   | 5.00  | 2.00  | 4.10  |
| 2P   | 6.9   | 4.00  | 1.00  | 3.10  |

|                |             |            |                              |              |
|----------------|-------------|------------|------------------------------|--------------|
| APPROVALS      |             | DATE       | TITLE:                       |              |
| DRAWN          | ZHIWEI.CHEN | 2015.07.07 | FPC 1.00mm Connector         |              |
| CHECKED        |             |            | PART NO. GP10-WSHA-XXP-C-X01 |              |
| APPROVALS      |             |            | SCALE: 1:1                   |              |
| TOLERANCES ARE |             | ANGLE      | UNIT: mm                     | PROJ:        |
| 30~30以上        | ±0.30       | ±2°        | SCALE: 1:1                   | PROJ:        |
| 10~30          | ±0.20       |            |                              |              |
| 5~10           | ±0.15       |            |                              |              |
| ~ 5            | ±0.10       |            |                              |              |
| ECN NO.        | REV.        | DATE.      | DESCRIPTION.                 | SHEET 1 OF 1 |
|                | A           |            | NEW                          |              |
|                |             |            |                              |              |



深圳市联丰电子有限公司  
 SHENZHEN LINFENG ELECTRONIC CO.,LTD