

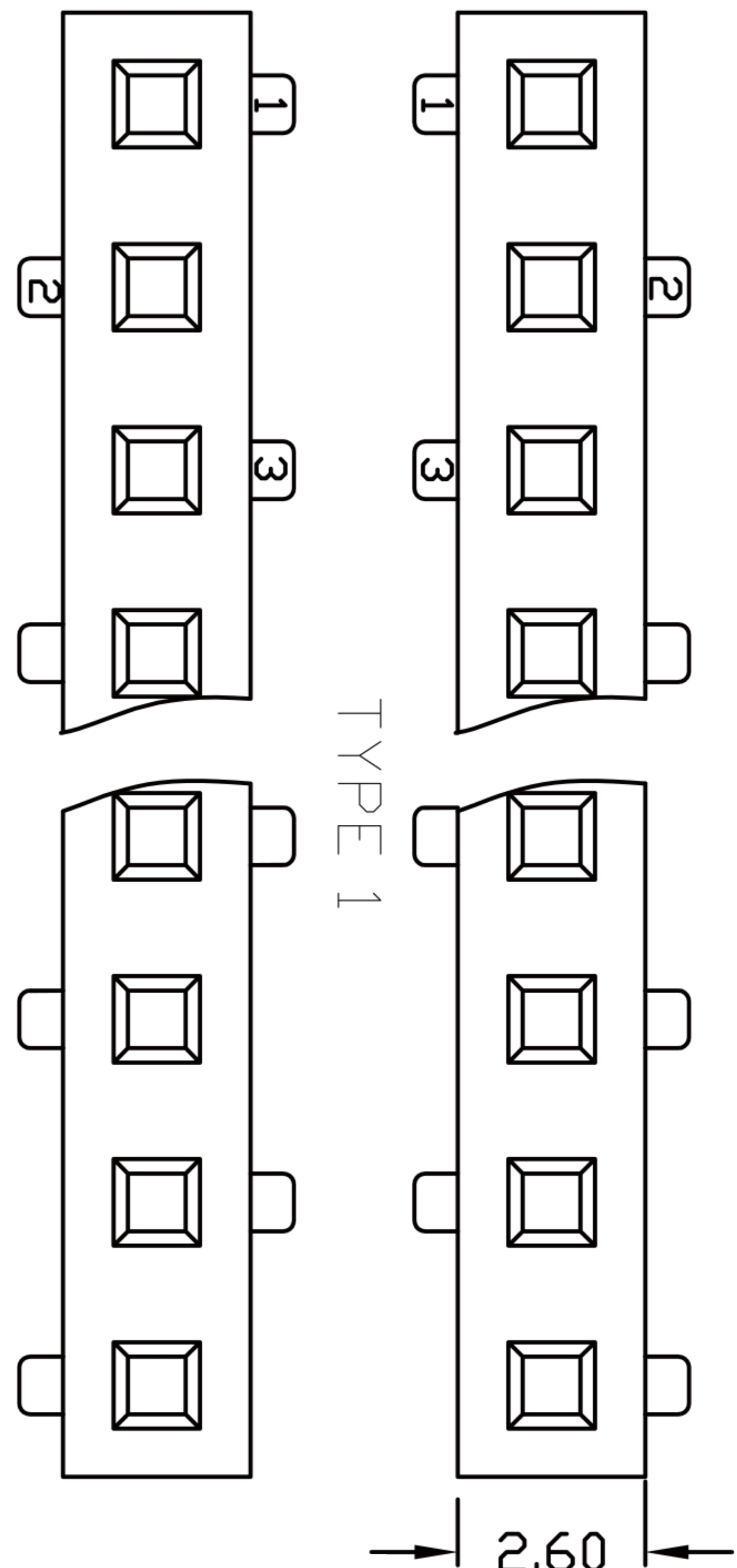
Specifications/备注 (Remark)

1-材料 (MATERIAL)

胶芯: PA6T+30%G.F UL94V-0, 颜色: 黑色
 Housing: PA6T+30%G.F UL94V-0, Color: Black
 四方针: 黄铜/镍底30U"MIN/表面镀金0.8U"MIN
 Contact: Brass/0.8U"MIN GOLD PLATING
 OVER ALL 30U"MIN NICKEL UNDERPLATING
 OVER ALL

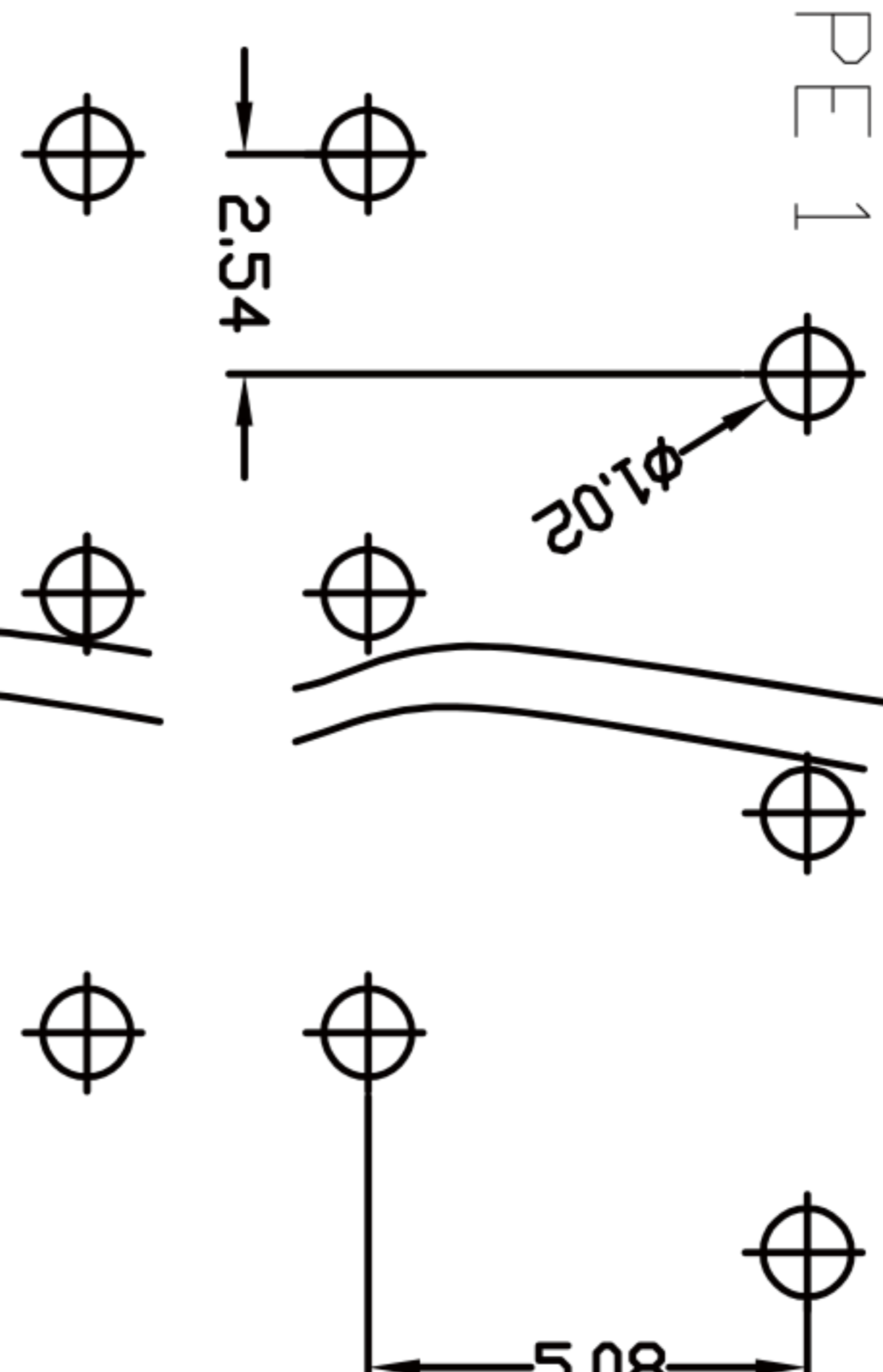
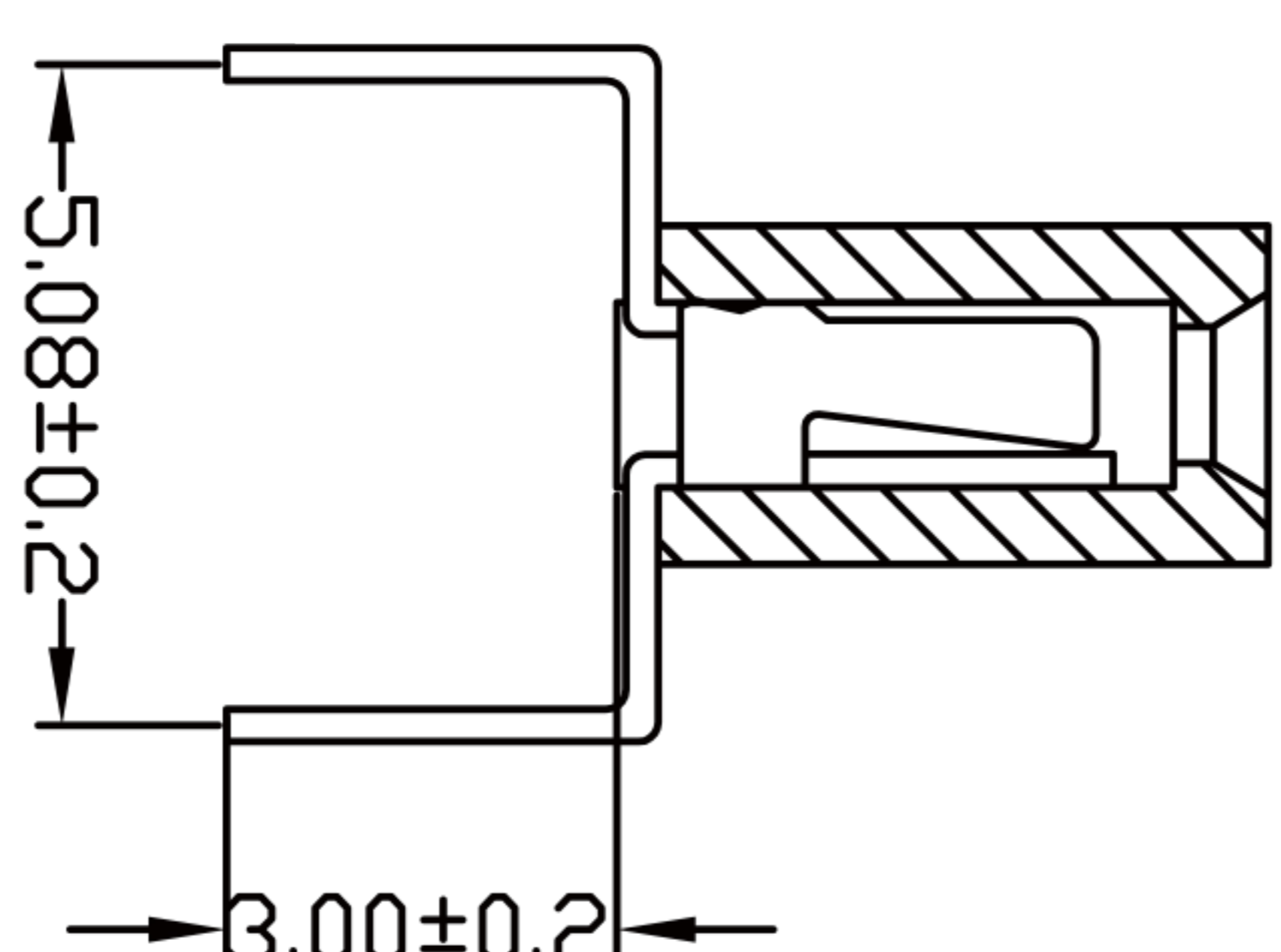
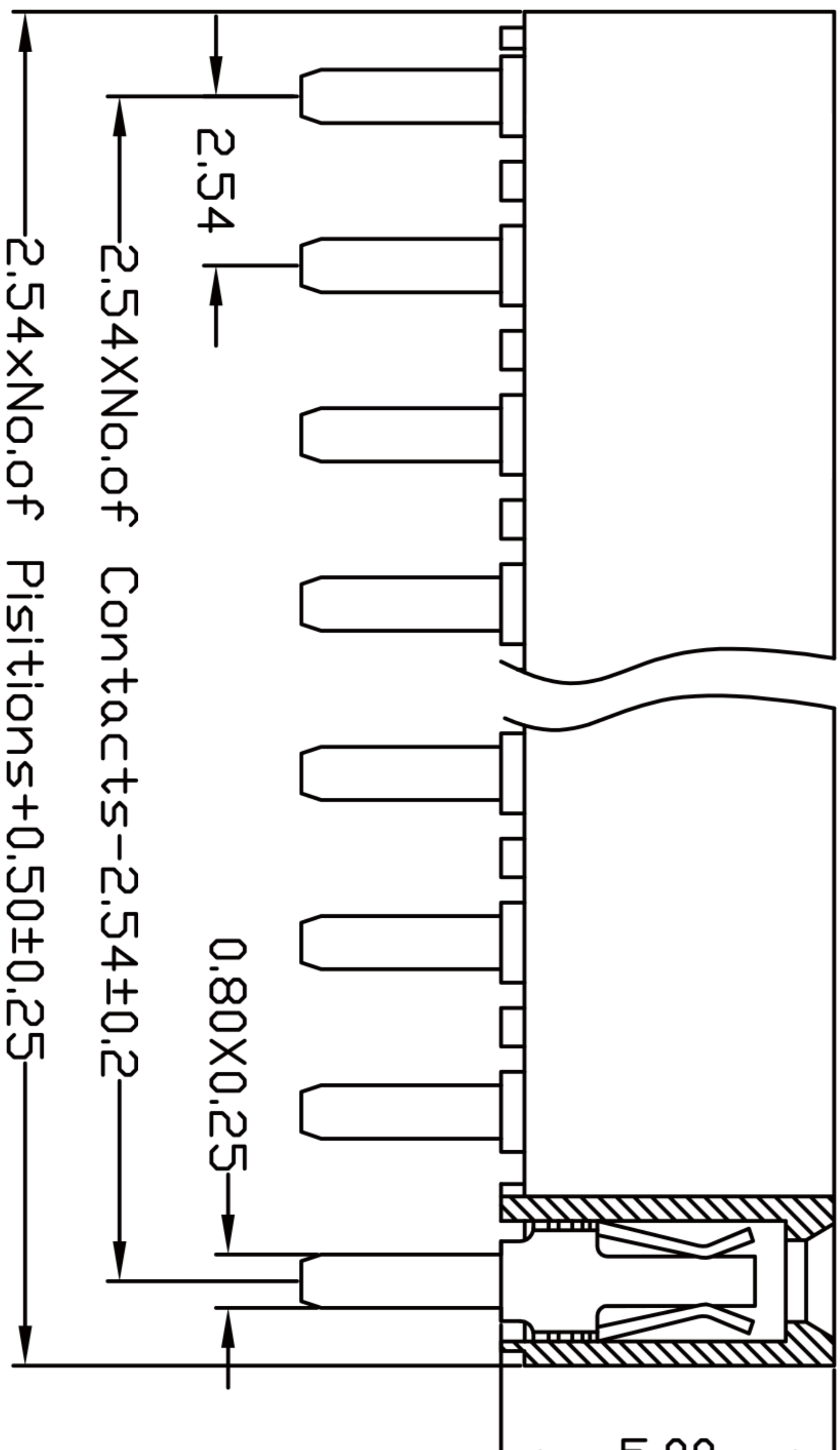
2-特性 (characteristics):

额定电流: 3 AMP
 Rating Current: 3 AMP.
 接触阻抗: 20mΩ MAX.
 Contact Resistance: 20mΩ MAX.
 绝缘阻抗: 1000MΩMIN.
 Insulating Resistance: 1000MΩMIN.
 耐电压: AC 500V.
 Withstanding Voltage: AC 500V.
 温度范围: -40度至+105度
 Temperature Range: -40°C to +105°C



TYPE 1

TYPE 2



ECN NO.	REV.	DATE.	
	A		
DESCRIPTION.			
NEW			
CHANGE.	CHECK.	APPRO.	

APPROVALS		DATE	TOLERANCES ARE			
DRAWN	ZHIWEI.CHEN	2015.07.07	30~以上	±0.30	ANGLE	PART NO.
CHECKED			10~30	±0.20		TITLE:
APPROVALS			5~10	±0.15	±2'	2.54mm 单排排母 U端 蜈蚣脚
			~ 5	±0.10		SCALE: 1:1
						PROJ.
						SHEET 1 OF 1


深圳市联丰电子有限公司
 SHENZHEN LINFENG ELECTRONIC CO.,LTD